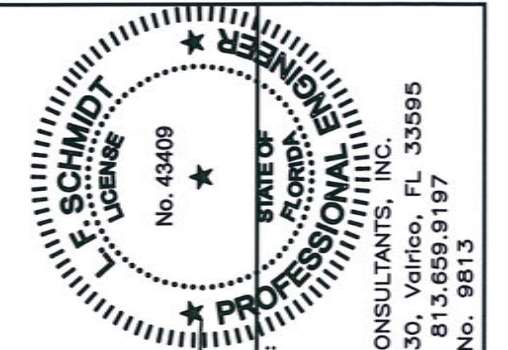




TRINITY GLASS
INTERNATIONAL

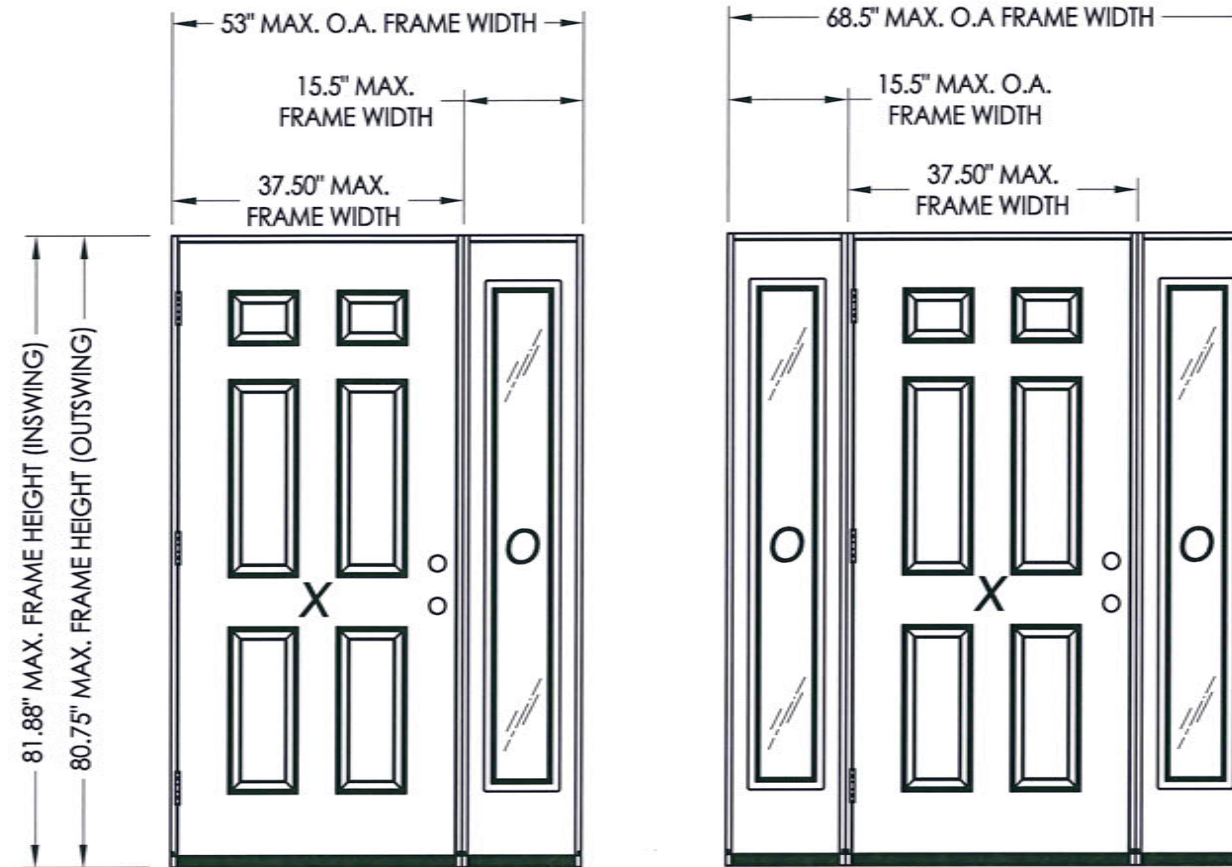
33615 1st Way S, Federal Way, WA 98003

OPAQUE FIBERGLASS DOOR
with **SIDELITE(S)**
IN SWING / OUT SWING
"NON-IMPACT"



Documents Prepared By:
Lyndon F. Schmidt
P.E. No. 43409

RW BUILDING CONSULTANTS, INC.
P.O. Box 230, Valrico, FL 33595
Phone No.: 813.659.9197
FBPE C.A. No. 9813



GENERAL NOTES

1. This product has been evaluated and is in compliance with the 5th Edition (2014) Florida Building Code (FBC) structural requirements excluding the "High Velocity Hurricane Zone" (HVHZ).
2. Product anchors shall be as listed and spaced as shown on details. Anchor embedment to base material shall be beyond wall dressing or stucco.
3. When used in areas requiring wind borne debris protection this product is required to be protected with an impact resistant covering that complies with Section 1609.1.2 of the FBC.
4. For 2x stud framing construction, anchoring of these units shall be the same as that shown for 2x buck masonry construction.
5. Site conditions that deviate from the details of this drawing require further engineering analysis by a licensed engineer or registered architect.

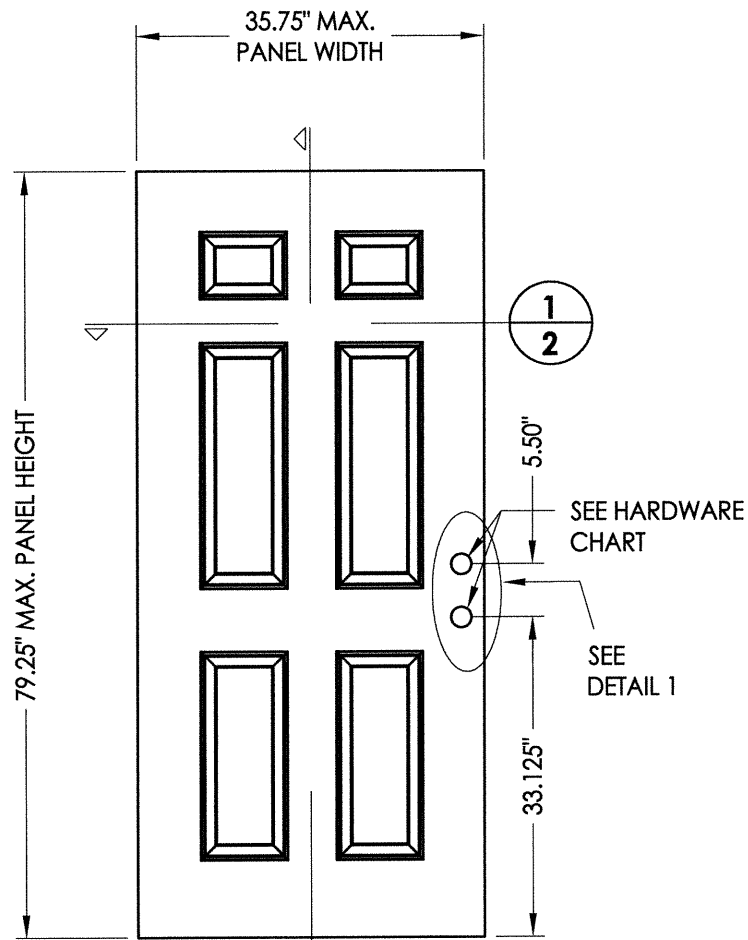
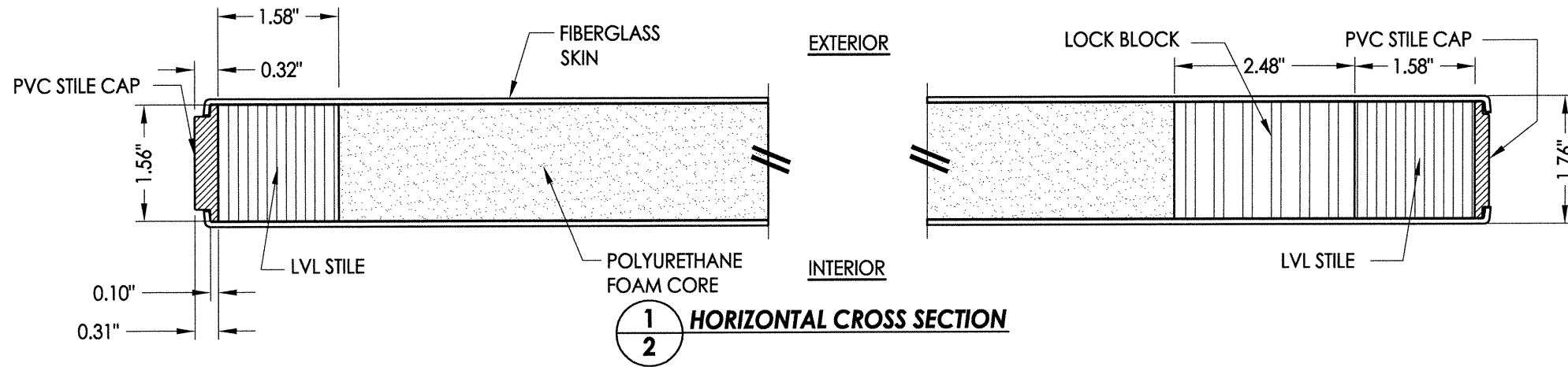
TABLE OF CONTENTS	
SHEET#	DESCRIPTION
1	Typical elevations, design pressures & general notes
2	Door panel details
3	Sidelite panel details
4	Sidelite panel details
5	Elevations
6	Horizontal cross sections
7	Vertical cross sections
8	Vertical cross sections
9	Buck anchoring
10	Frame anchoring
11	Components
12	Bill of materials

Boxed Jamb Sidelites

CONFIGURATION	MAX. FRAME DIMENSION	JAMB TYPE	DESIGN PRESSURE (PSF)	
			POSITIVE	NEGATIVE
OX/XO	53.0" x 81.88"	WOOD	+60.0	-70.0
		FIBERGLASS/COMP	+55.0	-55.0
		PVC	+30.0	-30.0
OXO	68.5" x 81.88"	WOOD	+55.0	-55.0
		FIBERGLASS/COMP	+55.0	-55.0
		PVC	+30.0	-30.0

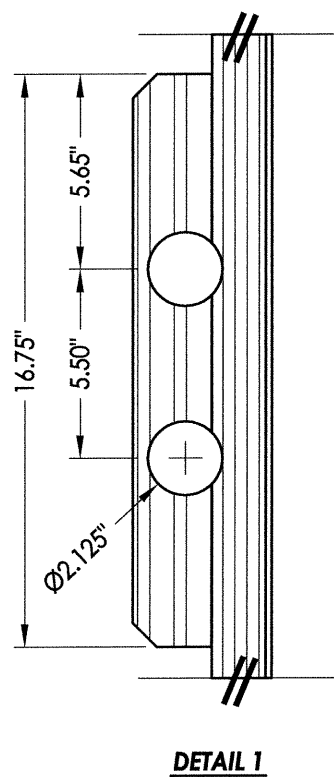
PRODUCT:	TRINITY GLASS INT'L
PART OR ASSEMBLY:	TYPICAL ELEVATION, DESIGN PRESSURES & GENERAL NOTES
NO.	DATE
3	3/02/15
2	12/16/14
1	3/27/12
REVISIONS	
DATE:	1/18/12
SCALE:	N.T.S.
DWG. BY:	JK
CHK. BY:	LFS
DRAWING NO.:	FL-15129.11
SHEET	1 OF 12

R:\Clients\Trinity PERMANENT\Florida Product Approvals\FL-15129\Drawings\Current\FL-15129.9-12.dwg, FL-15129.11

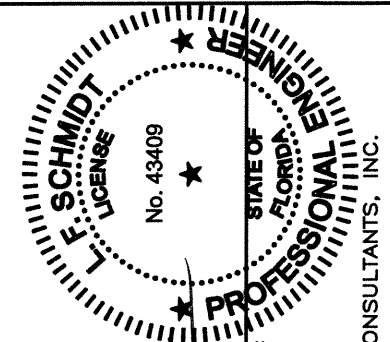
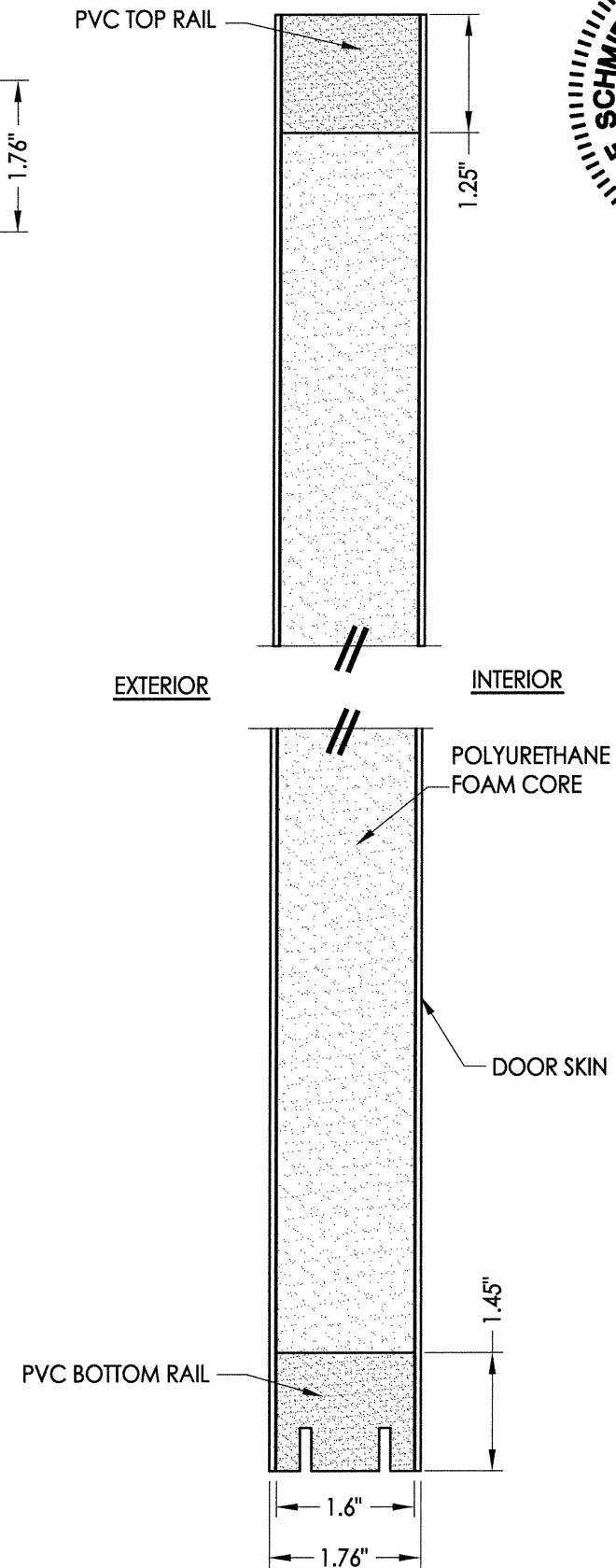


40 OPAQUE DOOR

DOOR SKIN: 0.070" MIN. THK. FIBERGLASS
CORE MATERIAL: POLYURETHANE FOAM



HARDWARE CHART	
MANUFACTURER	MODEL
KWIKSET	KNOB: SIGNATURE SERIES DEADBOLT: SIGNATURE SERIES (980)
KWIKSET	KNOB & DEADBOLT: SIGNATURE SERIES COMBO PACK (991)
SCHLAGE	KNOB: F SERIES DEADBOLT: B60 SERIES



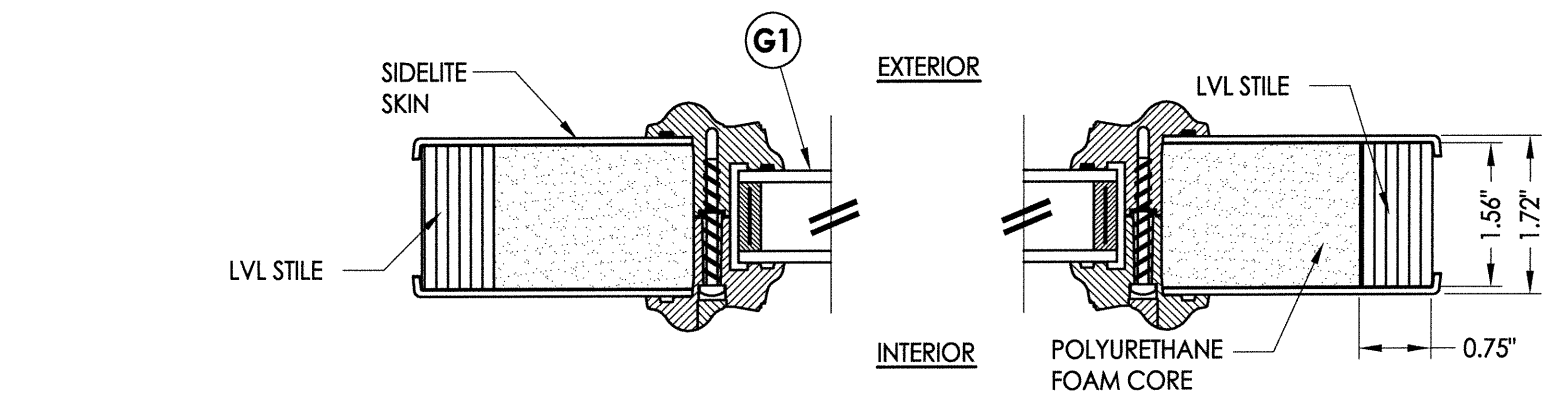
Documents Prepared By:
Lyndon F. Schmidt
P.E. No. 43409

RW BUILDING CONSULTANTS, INC.
P.O. Box 230, Valrico, FL 33595
Phone No.: 813.659.9197
FBPE C.A. No. 9813

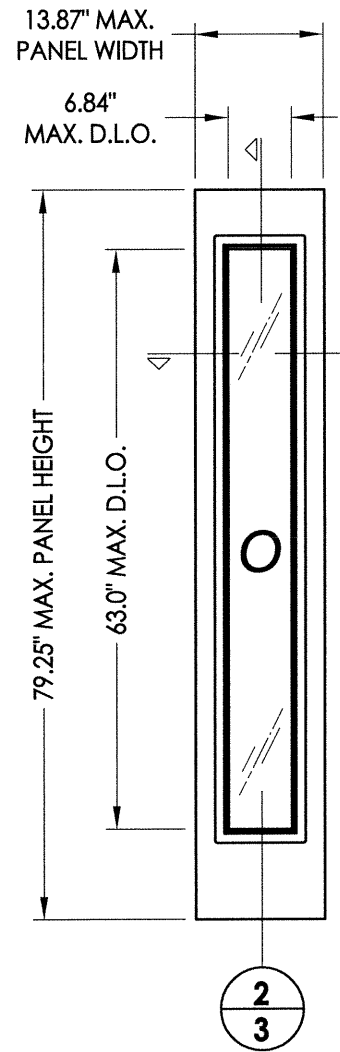
PRODUCT: TRINITY GLASS INT'L
PART OR ASSEMBLY: DOOR PANEL DETAILS

NO.	DATE	BY	REVISIONS
3	3/02/15	LFS	UPDATE TO 5TH ED. (2014) FBC
2	12/16/14	LFS	ADDED PVC JAMB/LOCK HRDWR
1	3/27/12	LFS	ADDED GLAZING DETAIL

DATE: 1/18/12
SCALE: N.T.S.
DWG. BY: JK
CHK. BY: LFS
DRAWING NO.: FL-15129.11
SHEET 2 OF 12

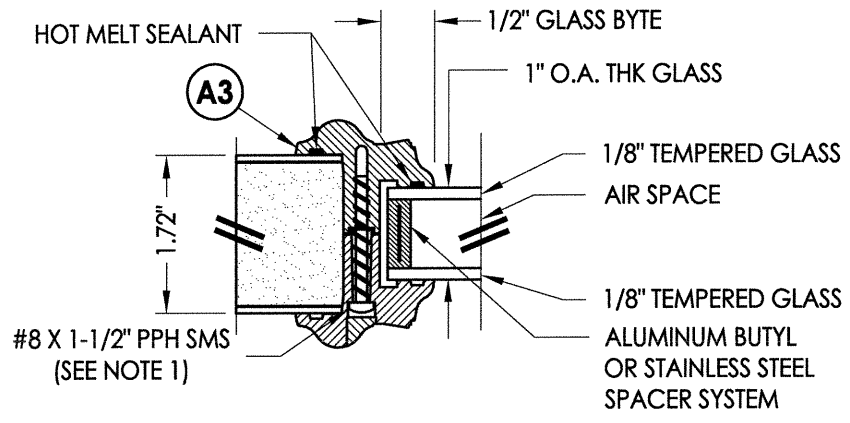


1
3 **HORIZONTAL CROSS SECTION**

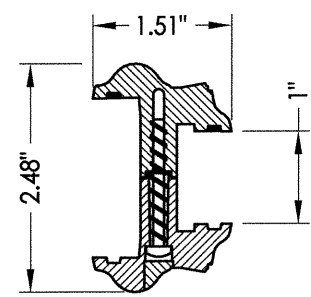


41 **FIBERGLASS SIDELITE**
"Non-Impact" Lite Frame

DOOR SKIN: 0.070" MIN. THK. FIBERGLASS
CORE MATERIAL: POLYURETHANE FOAM

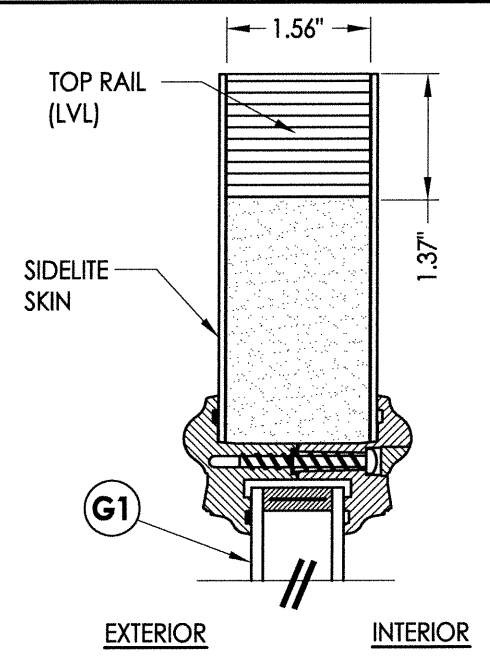


G1 **GLAZING DETAIL**
Lip Lite Frame

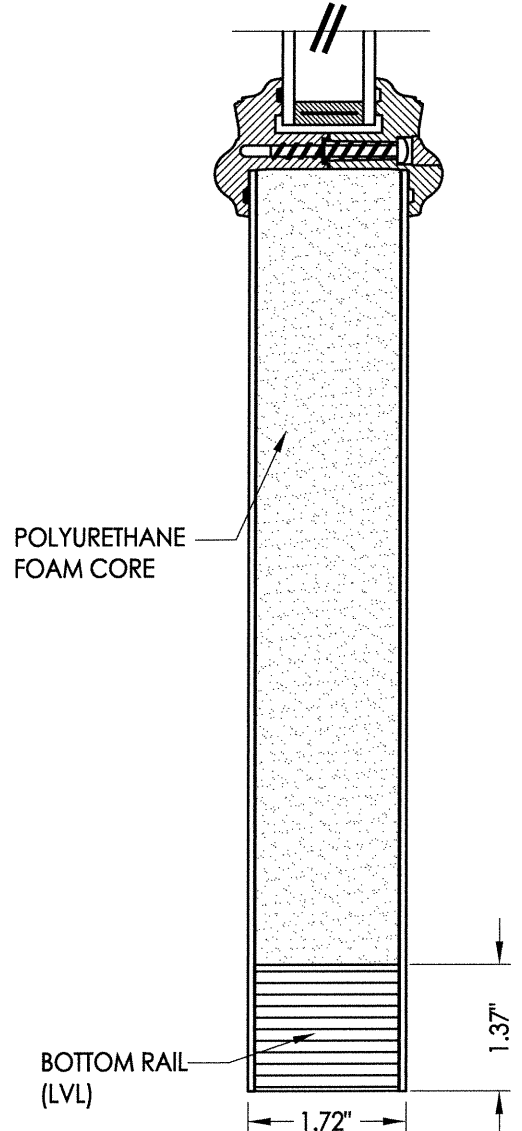


A3 **LIP LITE FRAME**
ABS or PC/ASA

NOTE:
1. Spacing for lite frame screw is as follows:
Top and Bottom: 2" from each corner (2 total)
Sides: 2" from each corner and equally spaced thereafter (8 total)



2
3 **VERTICAL CROSS SECTION**



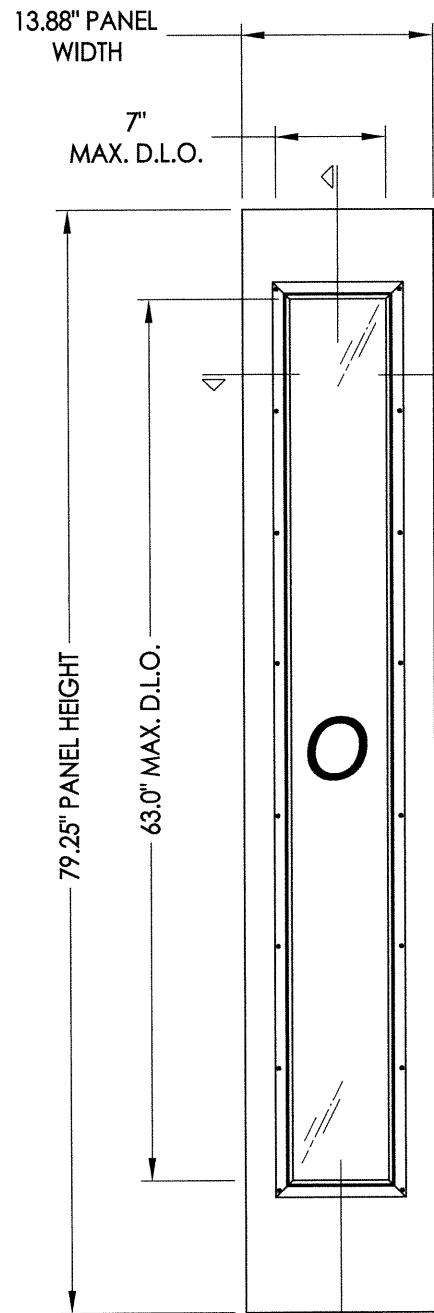
E. SCHMIDT
LICENSE
No. 43409
STATE OF
FLORIDA
PROFESSIONAL
ENGINEER

L-77
5-14-15

Documents Prepared By:
Lyndon F. Schmidt
P.E. No. 43409

RW
BUILDING CONSULTANTS, INC.
P.O. Box 230, Vairico, FL 33595
Phone No.: 813.659.9197
FBPE C.A. No. 9813

PRODUCT:		TRINITY GLASS INT'L	
PART OR ASSEMBLY:		SIDELITE PANEL DETAILS	
NO.	DATE	BY	REVISIONS
3	3/02/15	LFS	UPDATE TO 5TH ED. (2014) FBC
2	12/16/14	LFS	ADDED PVC JAMB/LOCK HRDWR
1	3/27/12	LFS	ADDED GLAZING DETAIL
DATE: 1/18/12			
SCALE: N.T.S.			
DWG. BY: JK			
CHK. BY: LFS			
DRAWING NO.: FL-15129.11			
SHEET 3 OF 12			

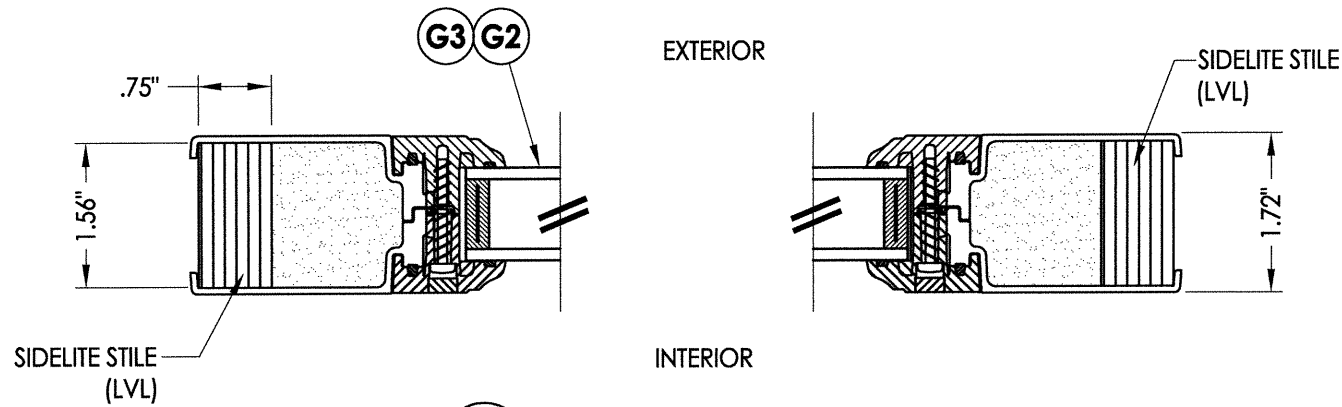


2
4

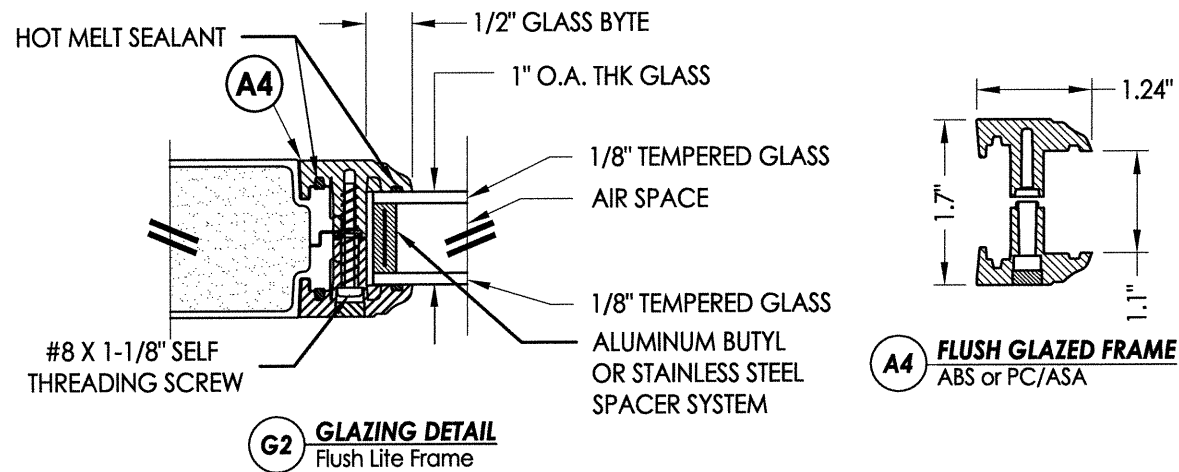
2
4

42 **FIBERGLASS SIDELITE**
"Non-Impact" Flush Lite Frame

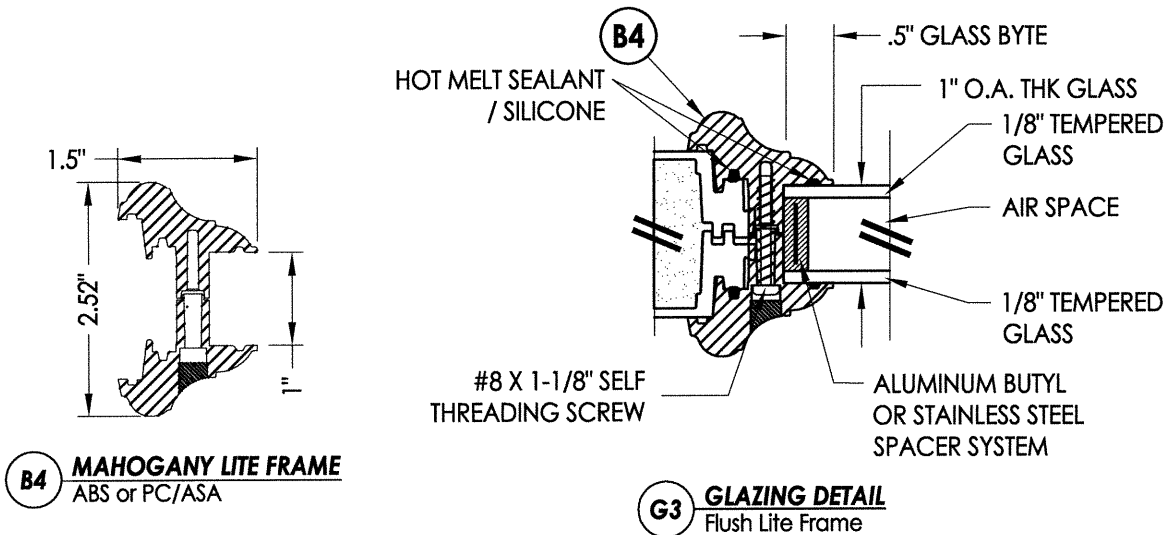
DOOR SKIN: 0.070" MIN. THK. FIBERGLASS
CORE MATERIAL: POLYURETHANE FOAM



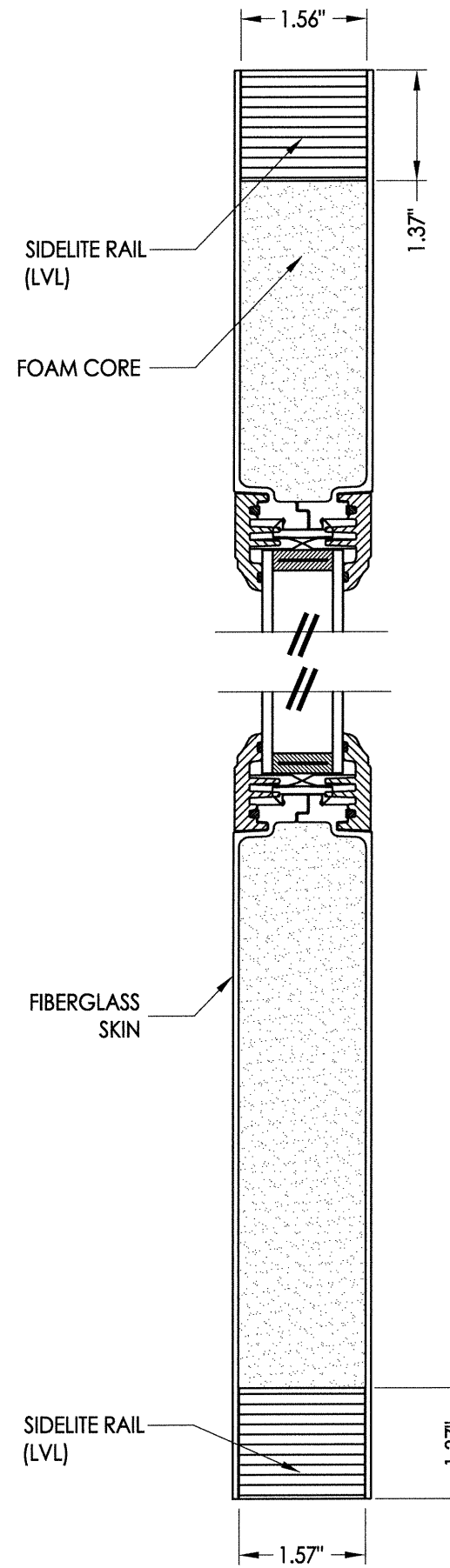
1
4 **HORIZONTAL CROSS SECTION**



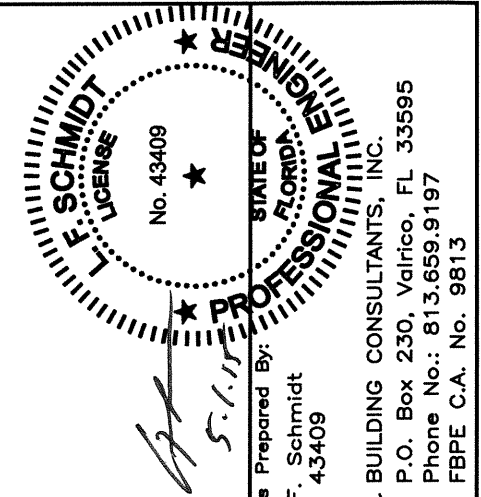
G2 **GLAZING DETAIL**
Flush Lite Frame



G3 **GLAZING DETAIL**
Flush Lite Frame



2
4 **VERTICAL CROSS SECTION**

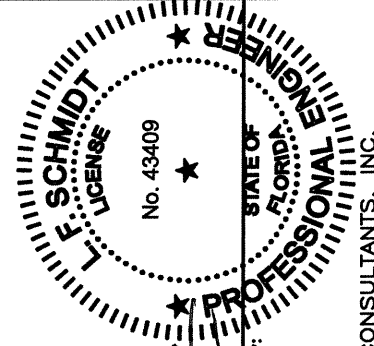
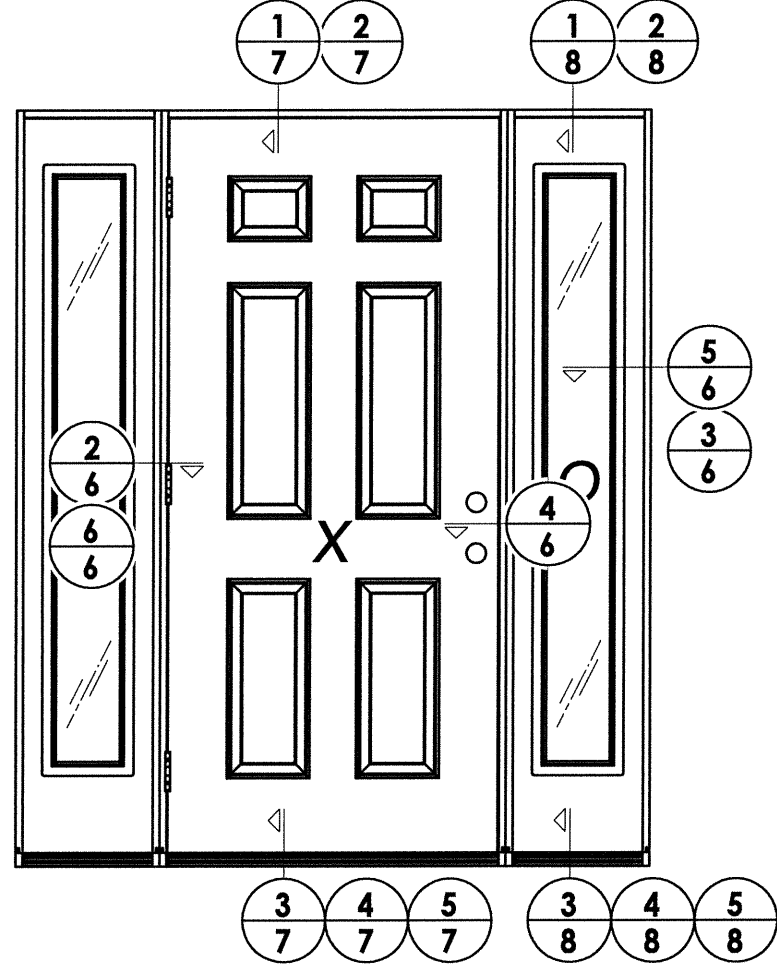
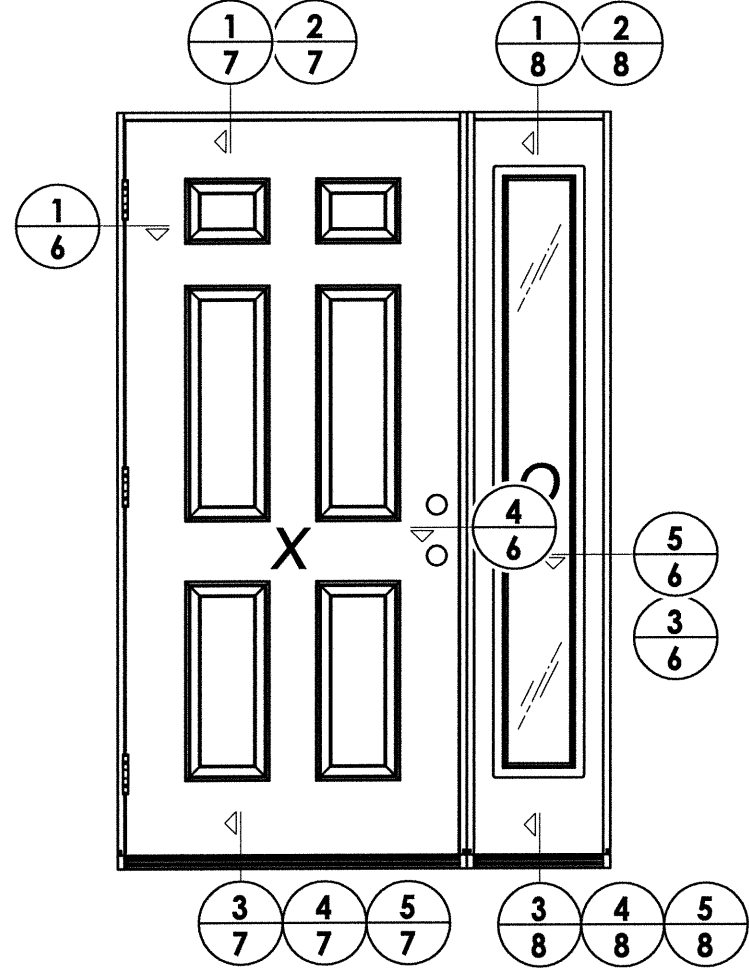


Documents Prepared By:
Lyndon F. Schmidt
P.E. No. 43409
RW BUILDING CONSULTANTS, INC.
P.O. Box 230, Valrico, FL 33595
Phone No.: 813.659.9197
FBPE C.A. No. 9813

PRODUCT: TRINITY GLASS INT'L
PART OR ASSEMBLY: SIDELITE PANEL DETAILS

NO.	DATE	BY	REVISIONS
3	3/02/15	FBC	UPDATE TO 5TH ED. (2014)
2	12/16/14	HRDWR	ADDED PVC JAMB/LOCK
1	3/27/12	LFS	ADDED GLAZING DETAIL

DATE: 1/18/12
SCALE: N.T.S.
DWG. BY: JK
CHK. BY: LFS
DRAWING NO.: FL-15129.11
SHEET 4 OF 12



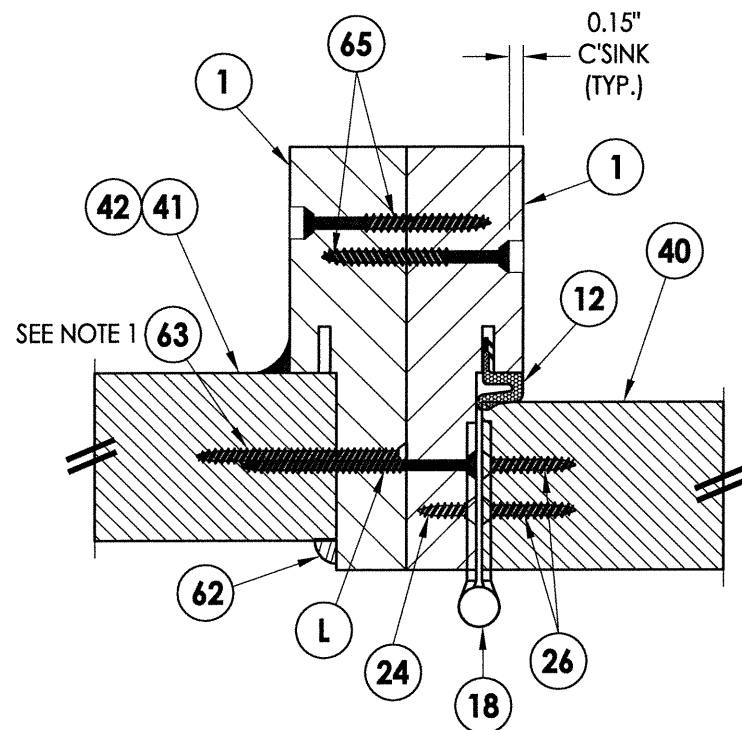
Documents Prepared By:
Lyndon F. Schmidt
P.E. No. 43409

RW
BUILDING CONSULTANTS, INC.
P.O. Box 230, Valrico, FL 33595
Phone No.: 813.659.9197
FBPE C.A. No. 9813

PRODUCT:		TRINITY GLASS INT'L	
PART OR ASSEMBLY:		ELEVATIONS	
NO.	DATE	BY	REVISIONS
3	3/02/15	LFS	UPDATE TO 5TH ED. (2014) FBC
2	12/16/14	LFS	ADDED PVC JAMB/LOCK HRDWR
1	3/27/12	LFS	ADDED GLAZING DETAIL

DATE: 1/18/12
SCALE: N.T.S.
DWG. BY: JK
CHK. BY: LFS
DRAWING NO.: FL-15129.11
SHEET 5 OF 12

R:\Clients\Trinity PERMANENT\Florida Product Approvals\FL-15129\Drawings\Current\FL-15129.9-12.dwg, 6.11



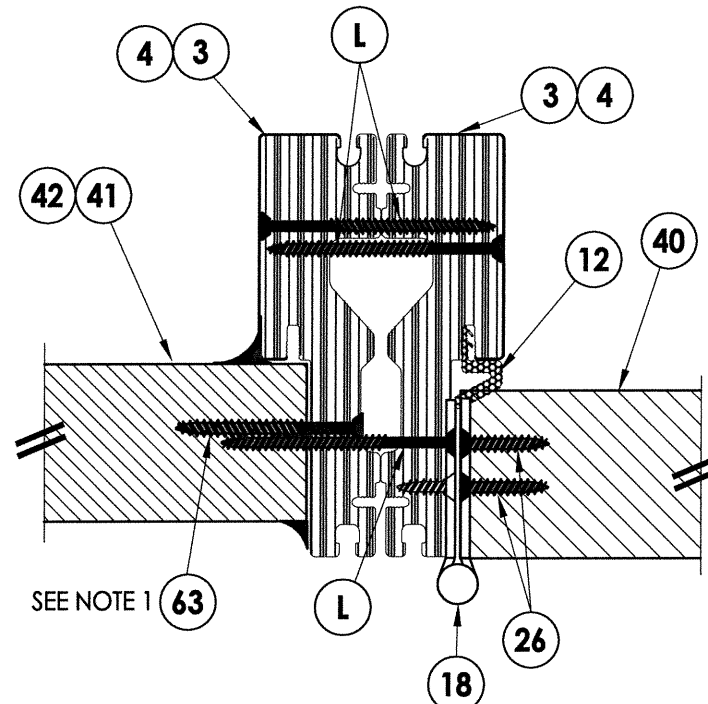
2 HORIZONTAL CROSS SECTION
 6 Outswing shown - Inswing also approved
 Shown w/ wood jambs

INTERIOR

EXTERIOR

NOTE:

- Item #63 located 6" from each end and 3 more equally spaced (5 total).



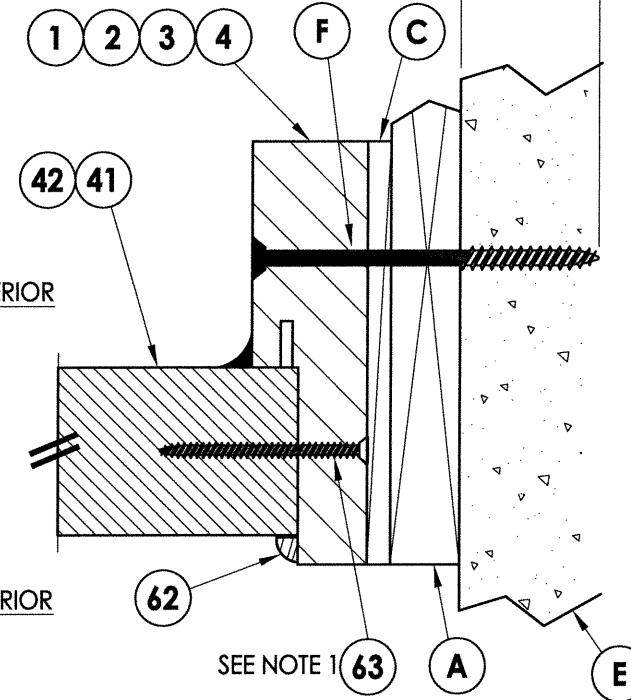
6 HORIZONTAL CROSS SECTION
 6 Outswing shown - Inswing also approved
 Shown w/ PVC jambs

INTERIOR

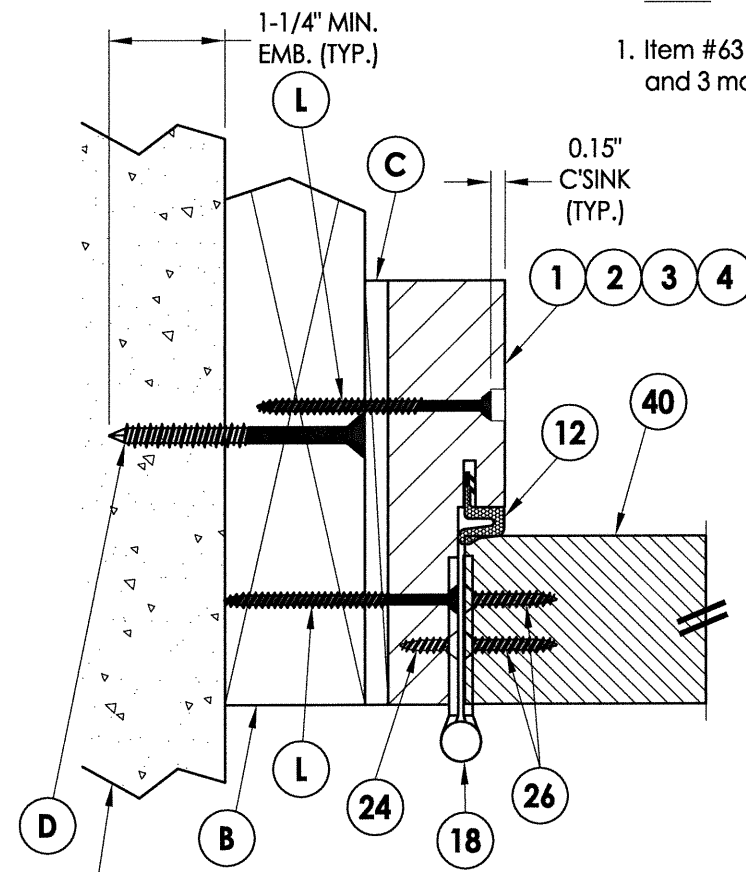
EXTERIOR

3 HORIZONTAL CROSS SECTION
 6 Shown w/ TX sub-buck

1-1/4" MIN.
 EMB. (TYP.)



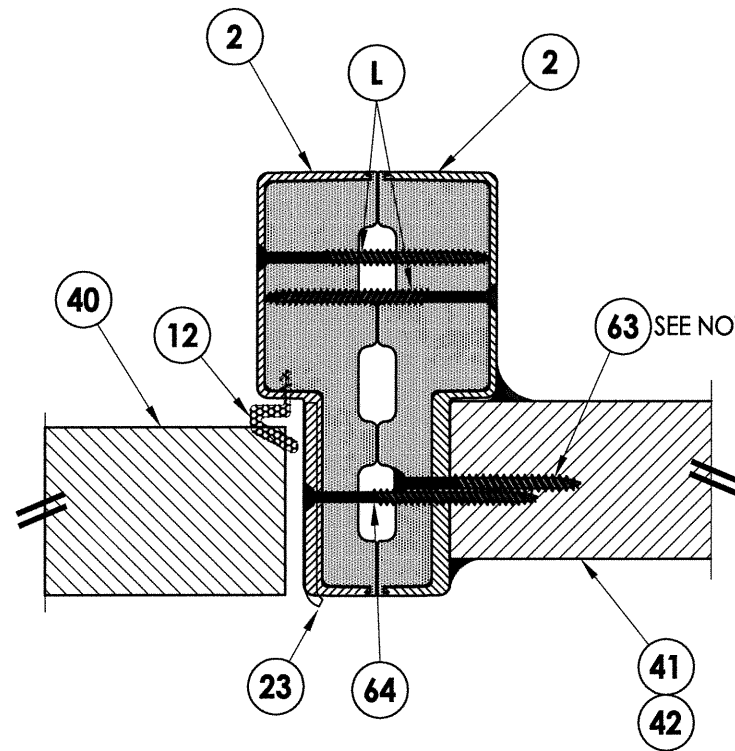
SEE NOTE 1



1 HORIZONTAL CROSS SECTION
 6 Outswing shown - Inswing also approved

INTERIOR

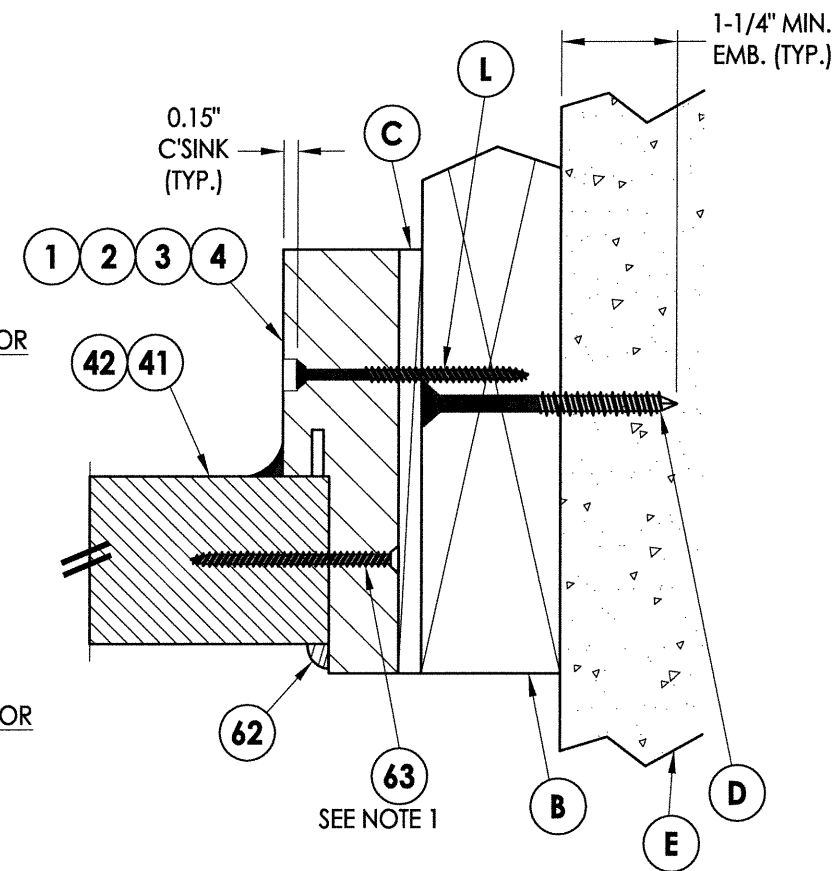
EXTERIOR



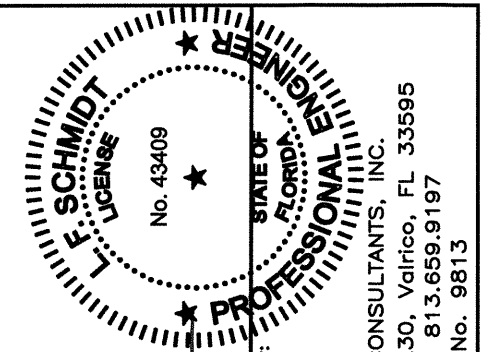
4 HORIZONTAL CROSS SECTION
 6 Outswing shown - Inswing also approved
 Shown w/ Fiberglass/Comp. jambs

INTERIOR

EXTERIOR



5 HORIZONTAL CROSS SECTION
 6 Outswing shown - Inswing also approved



Documents Prepared By:
 Lyndon F. Schmidt
 P.E. No. 43409

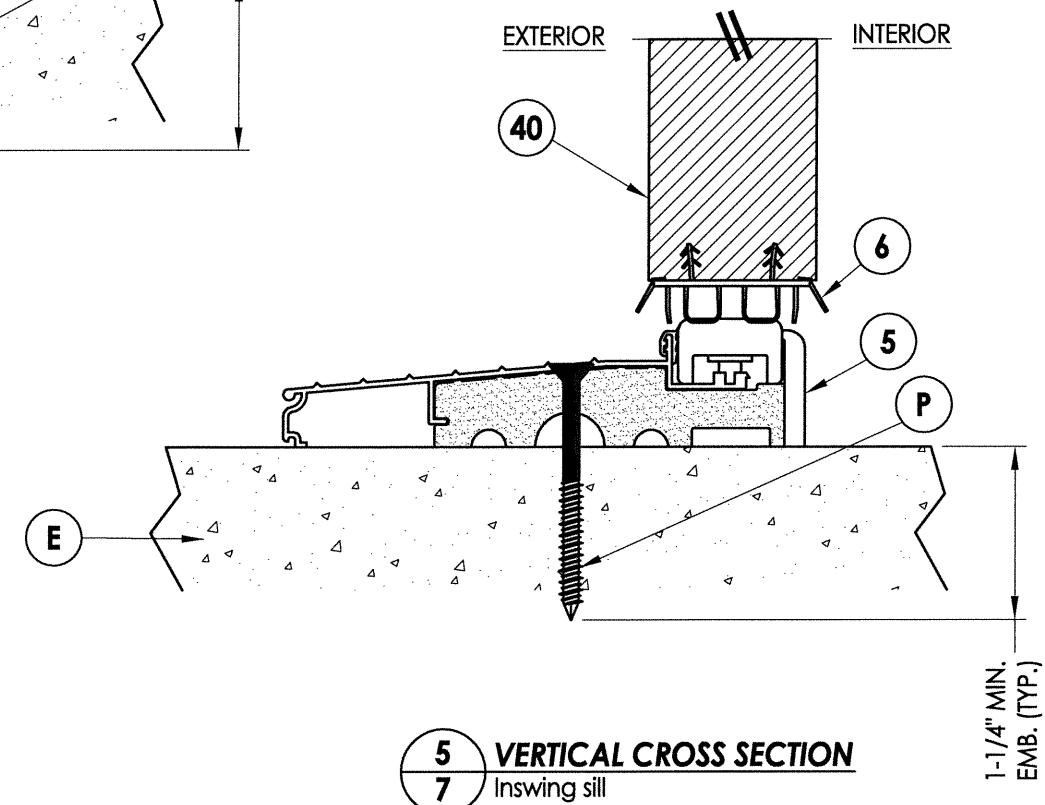
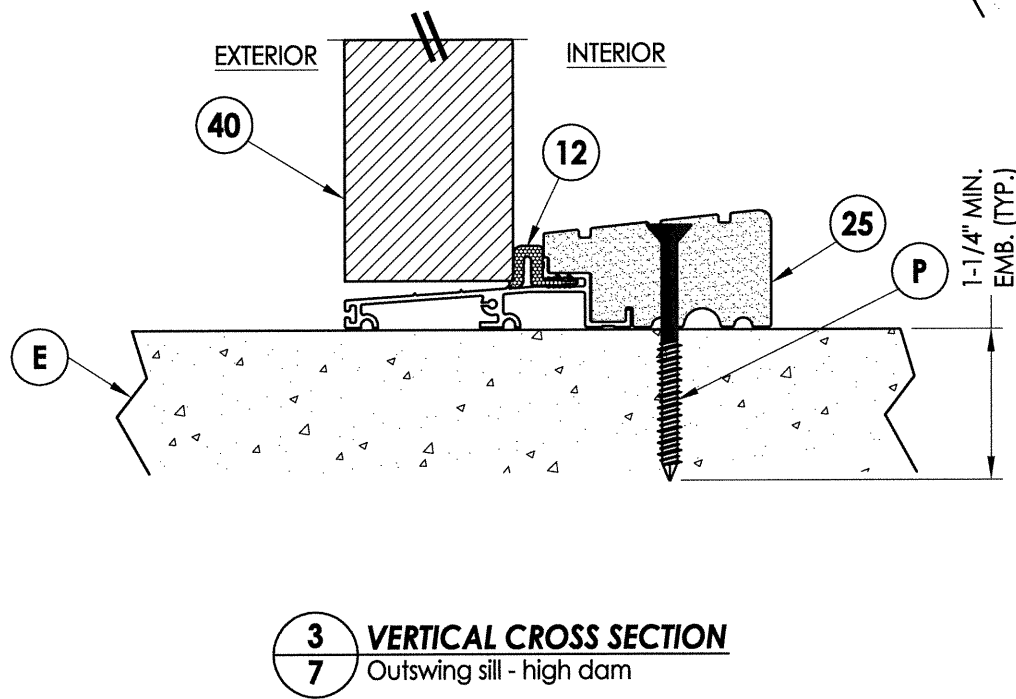
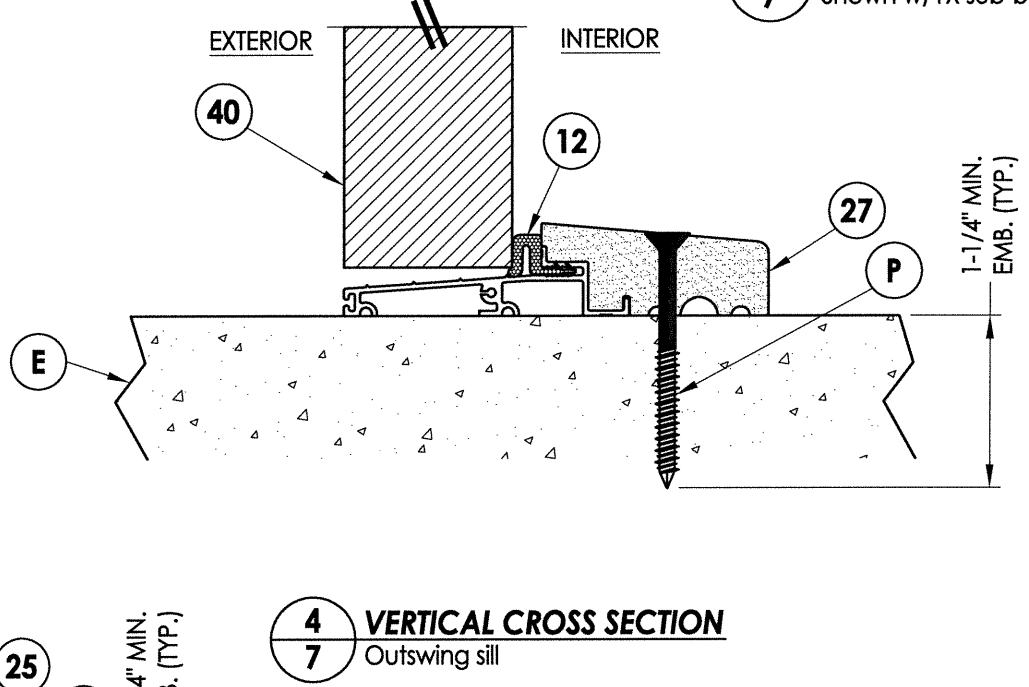
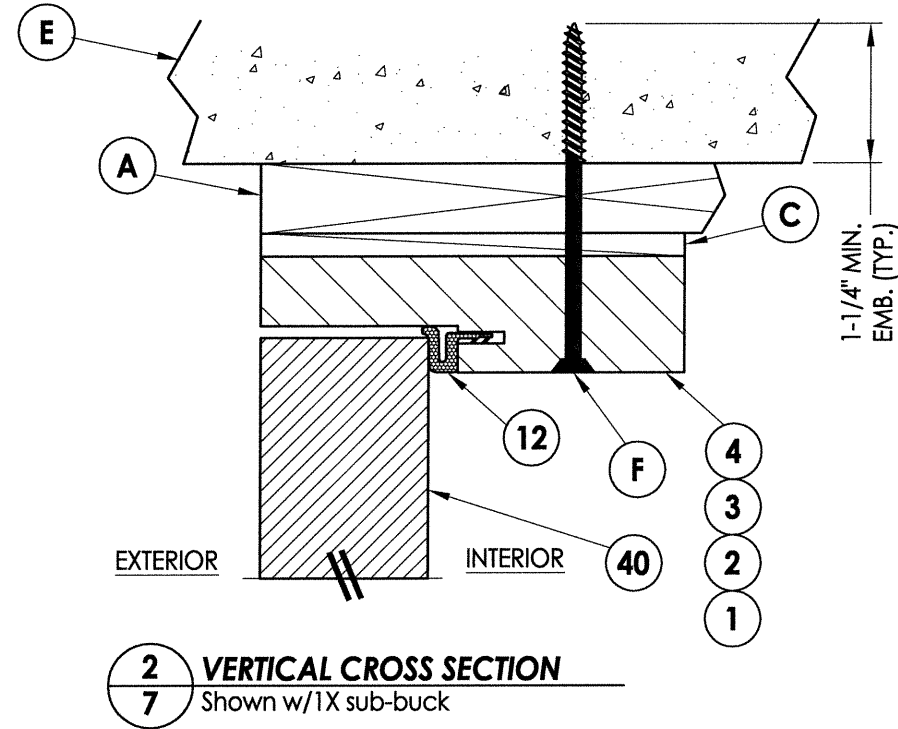
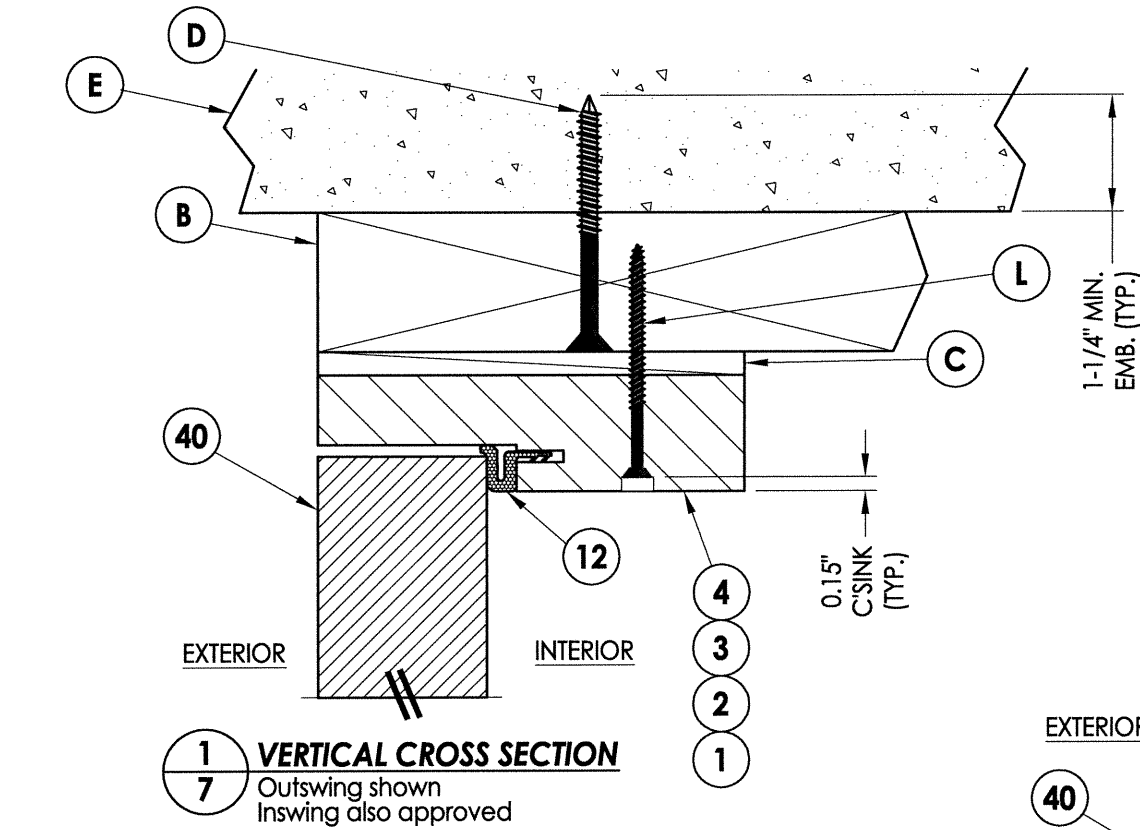
R.W. BUILDING CONSULTANTS, INC.
 P.O. Box 230, Valrico, FL 33595
 Phone No.: 813.659.9197
 FBPE C.A. No. 9813

PRODUCT: TRINITY GLASS INT'L
 PART OR ASSEMBLY: HORIZONTAL CROSS SECTIONS

NO.	DATE	BY	REVISIONS
3	3/02/15	FBC	UPDATE TO 5TH ED. (2014)
2	12/16/14	HRDWR	ADDED PVC JAMB/LOCK
1	3/27/12	DETAIL	ADDED GLAZING

DATE: 1/18/12
 SCALE: N.T.S.
 DWG. BY: JK
 CHK. BY: LFS
 DRAWING NO.: FL-15129.11
 SHEET 6 OF 12

R:\Clients\Trinity PERMANENT\Florida Product Approvals\FL-15129\Drawings\Current\FL-15129-9-12.dwg, 7.11



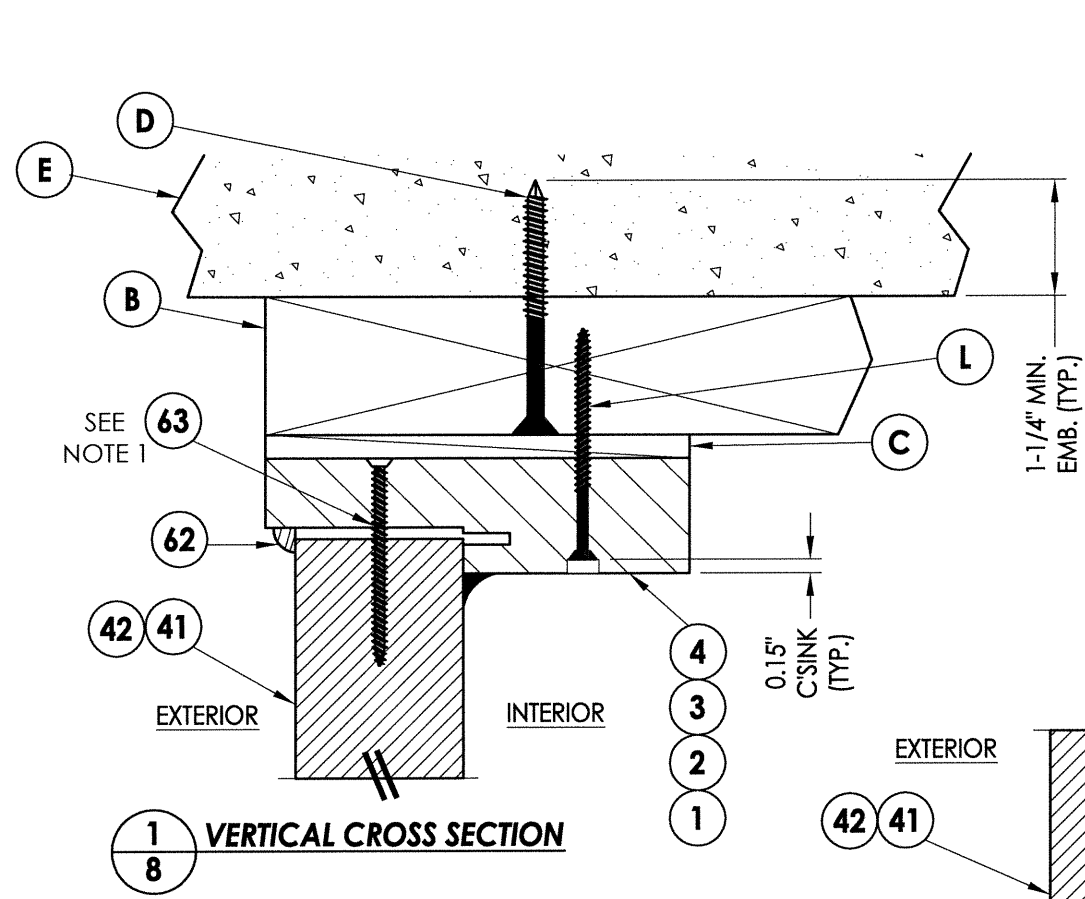
E. SCHMIDT
 LICENSE No. 43409
 STATE OF FLORIDA
 PROFESSIONAL ENGINEER

LFS
 5.1.15

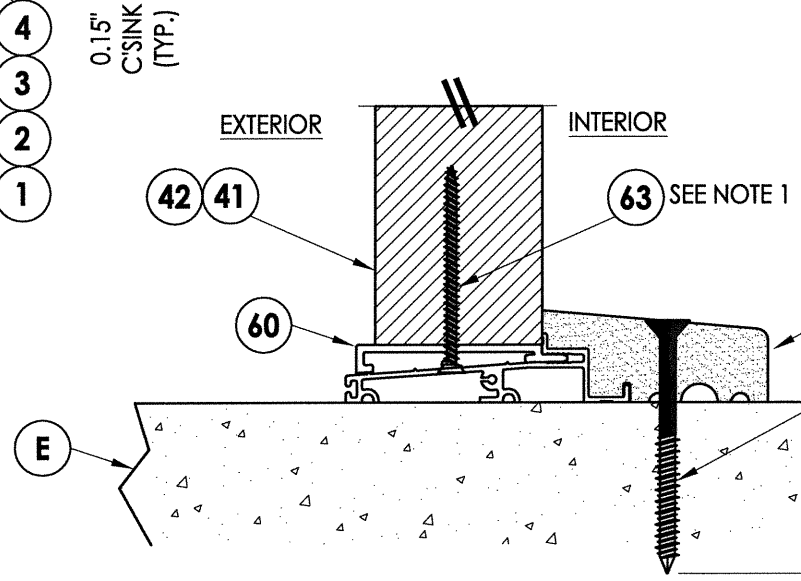
Documents Prepared By:
 Lyndon F. Schmidt
 P.E. No. 43409

RW BUILDING CONSULTANTS, INC.
 P.O. Box 230, Valrico, FL 33595
 Phone No.: 813.659.9197
 FBPE C.A. No. 9813

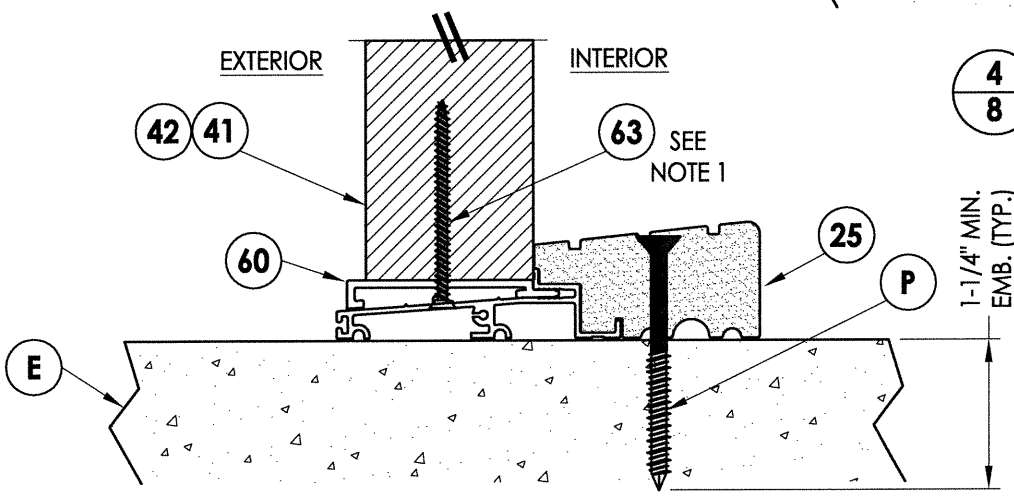
PRODUCT: TRINITY GLASS INT'L	
PART OR ASSEMBLY: VERTICAL CROSS SECTIONS	
NO.	DATE
3	3/02/15
2	12/16/14
1	3/27/12
REVISIONS	
DATE:	1/18/12
SCALE:	N.T.S.
DWG. BY:	JK
CHK. BY:	LFS
DRAWING NO.:	FL-15129.11
SHEET	7 OF 12



1
8 VERTICAL CROSS SECTION

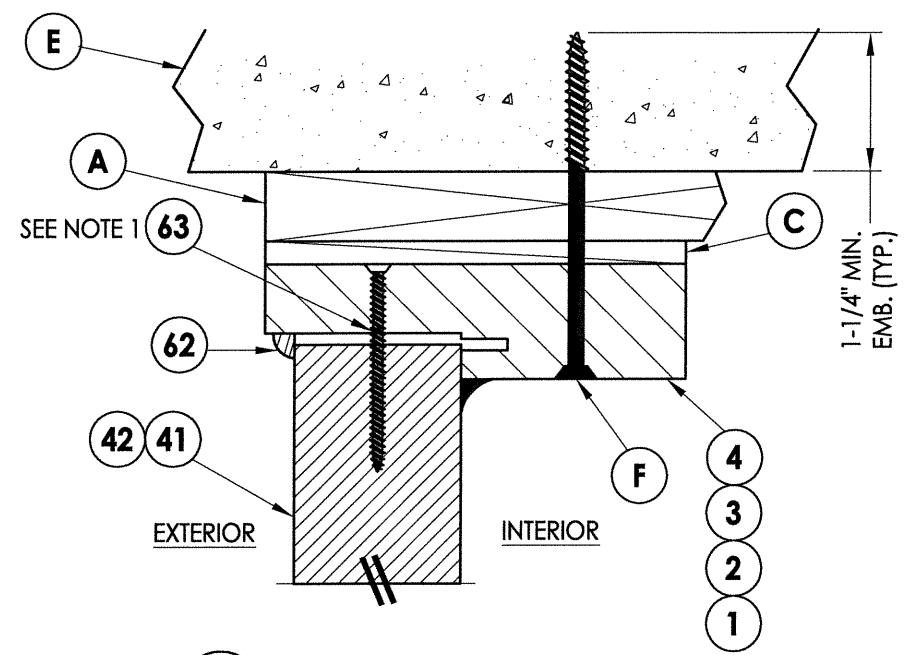


2
8 VERTICAL CROSS SECTION
Shown w/1X sub-buck

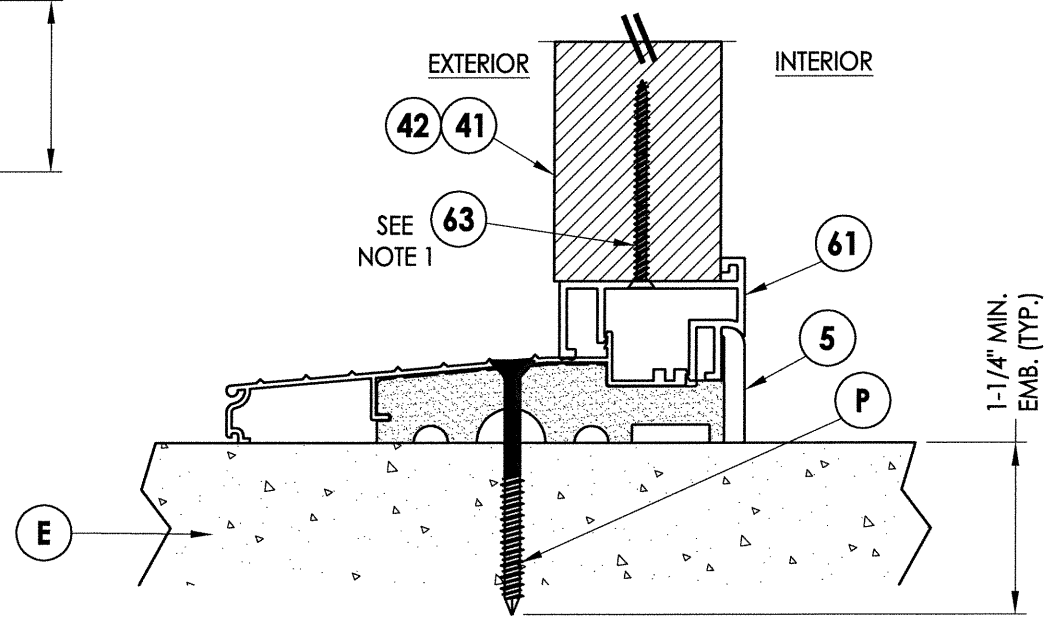


3
8 VERTICAL CROSS SECTION
Outswing sill - high dam

NOTE:
1. Screws thru head and sill jamb located 3\"/>



4
8 VERTICAL CROSS SECTION
Outswing sill



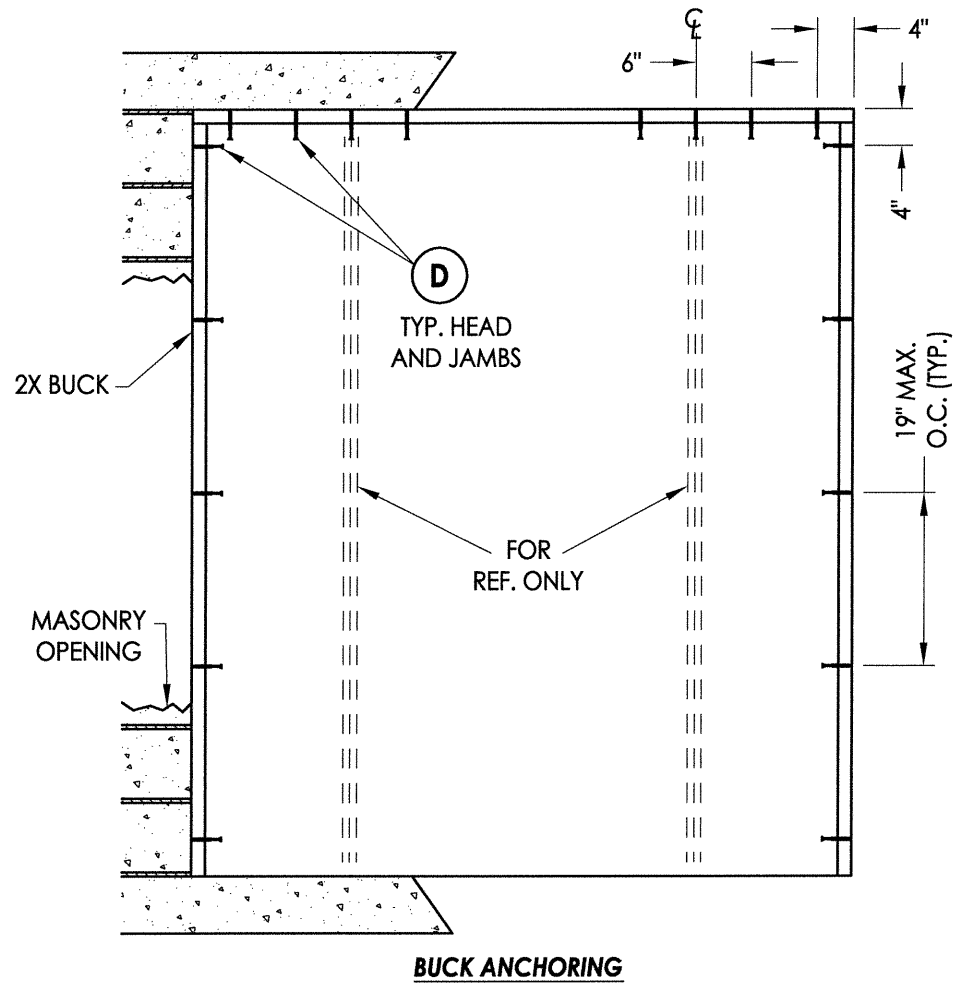
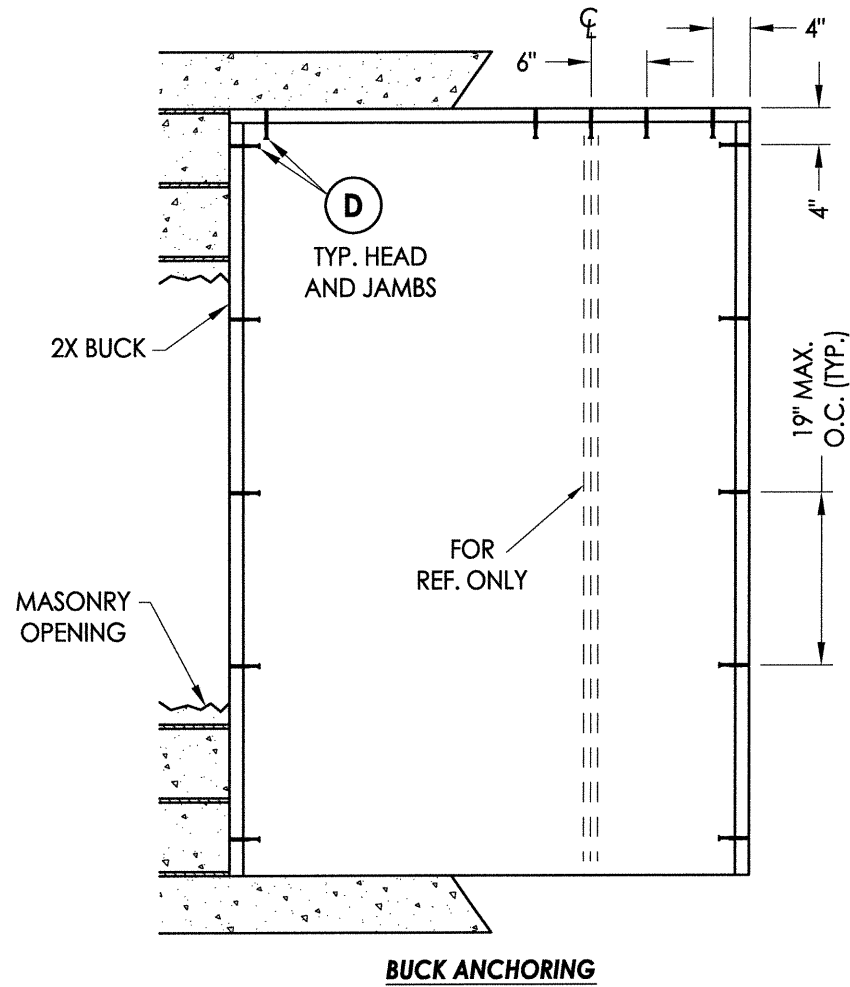
5
8 VERTICAL CROSS SECTION
Inswing sill

Documents Prepared By: Lyndon F. Schmidt
 P.E. No. 43409

R.W. BUILDING CONSULTANTS, INC.
 P.O. Box 230, Valrico, FL 33595
 Phone No.: 813.659.9197
 FBPE C.A. No. 9813

PRODUCT: TRINITY GLASS INT'L	
PART OR ASSEMBLY: VERTICAL CROSS SECTIONS	
NO	DATE
3	3/02/15
2	12/16/14
1	3/27/12
BY	
LFS	
LFS	
LFS	
FBC	(2014)
DATE: 1/18/12	
SCALE: N.T.S.	
DWG. BY: JK	
CHK. BY: LFS	
DRAWING NO.: FL-15129.11	
SHEET 8 OF 12	

R:\Clients\Trinity PERMANENT\Florida Product Approvals\FL-15129\Drawings\Current\FL-15129.9-12.dwg, 9.11



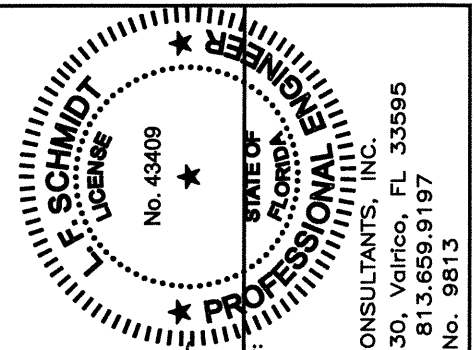
CONCRETE ANCHOR NOTES:

1. Concrete anchor locations at the corners may be adjusted to maintain the min. edge distance to mortar joints.
2. Concrete anchor locations noted as "MAX. ON CENTER" must be adjusted to maintain the min. edge distance to mortar joints, additional concrete anchors may be required to ensure the "MAX. ON CENTER" dimension are not exceeded.
3. Concrete anchor table:

ANCHOR TYPE	ANCHOR SIZE	MIN. EMBEDMENT	MIN. CLEARANCE TO MASONRY EDGE	MIN. CLEARANCE TO ADJACENT ANCHOR
ITW BUILDEX TAPCON®	1/4"	1-1/4"	2"	4"
ELCO ULTRACON®	1/4"	1-1/4"	1"	4"

WOOD SCREW INSTALLATION NOTES:

1. Maintain a minimum 5/8" edge distance, 1" end distance, & 1" o.c. spacing of wood screws to prevent the splitting of wood.

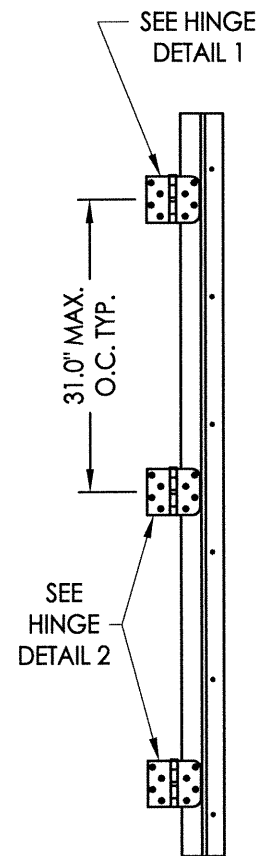


Documents Prepared By:
 Lyndon F. Schmidt
 P.E. No. 43409
 R.W. BUILDING CONSULTANTS, INC.
 P.O. Box 230, Valrico, FL 33595
 Phone No.: 813.659.9197
 FBPE C.A. No. 9813

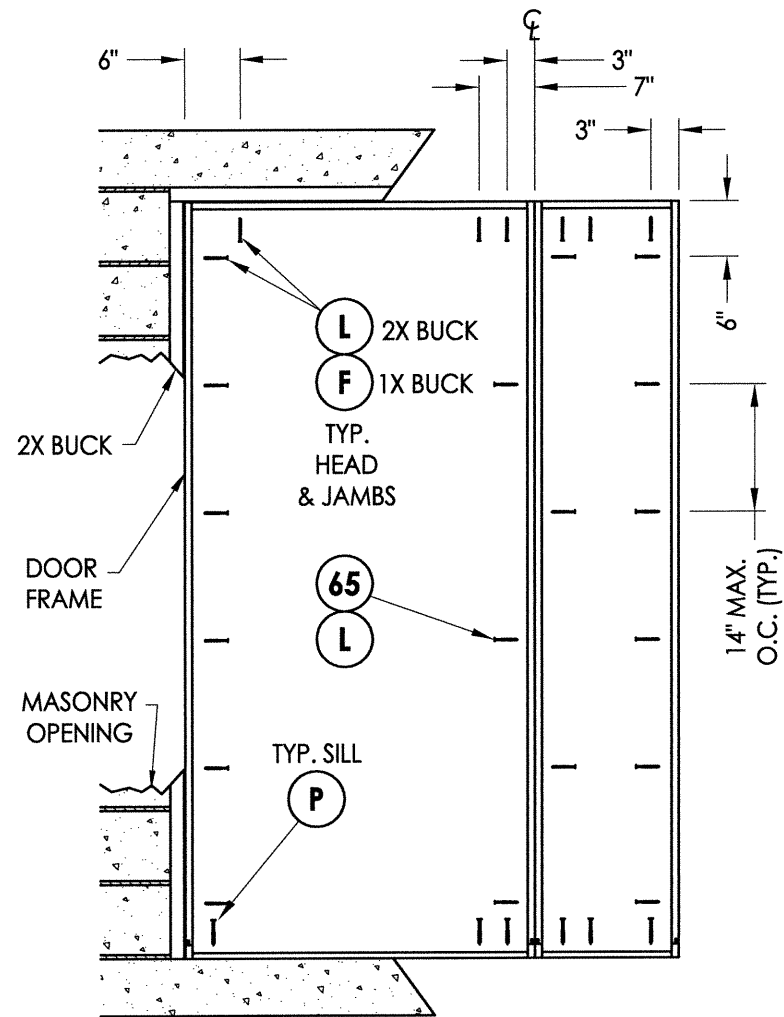
PRODUCT: TRINITY GLASS INT'L
 PART OR ASSEMBLY: BUCK ANCHORING

NO.	DATE	REVISIONS
3	3/02/15	UPDATE TO 5TH ED. (2014) FBC
2	12/16/14	ADDED PVC JAMB/LOCK HARDWARE
1	3/27/12	ADDED GLAZING DETAIL

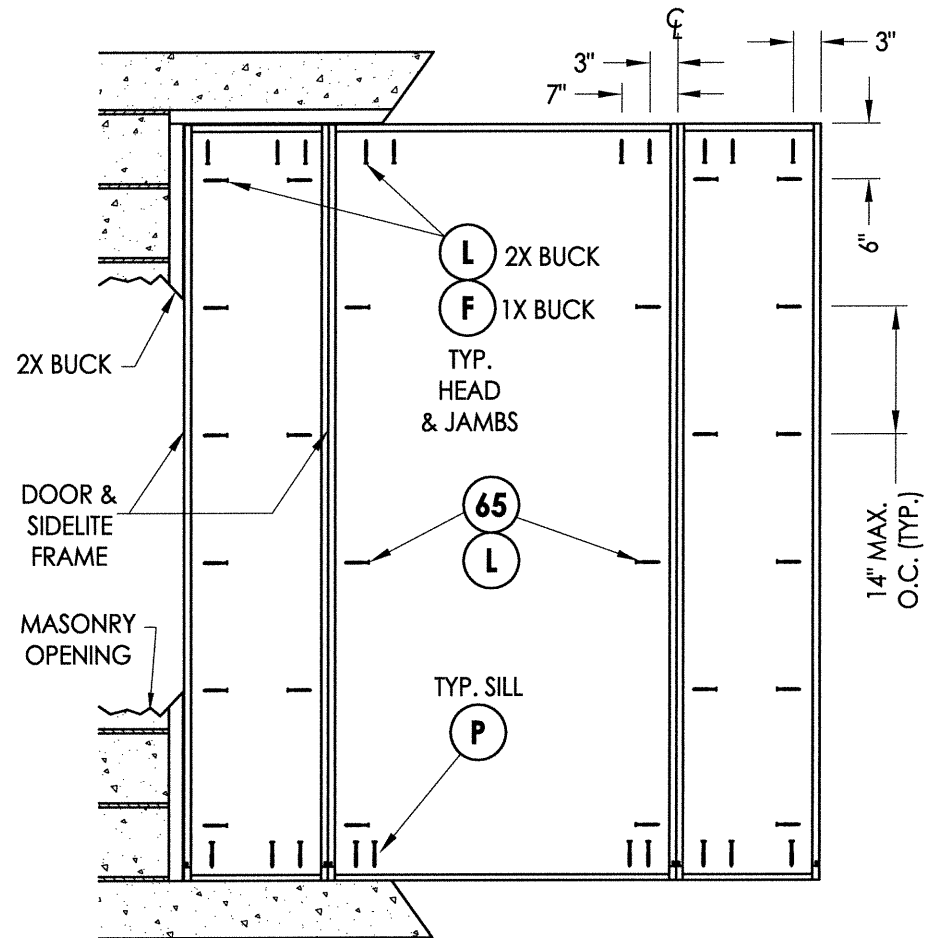
DATE: 1/18/12
 SCALE: N.T.S.
 DWG. BY: JK
 CHK. BY: LFS
 DRAWING NO.: FL-15129.11
 SHEET 9 OF 12



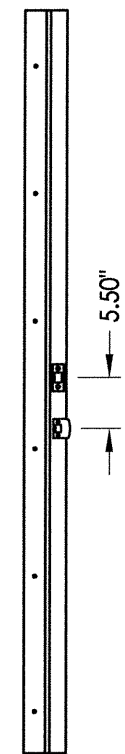
HINGE JAMB



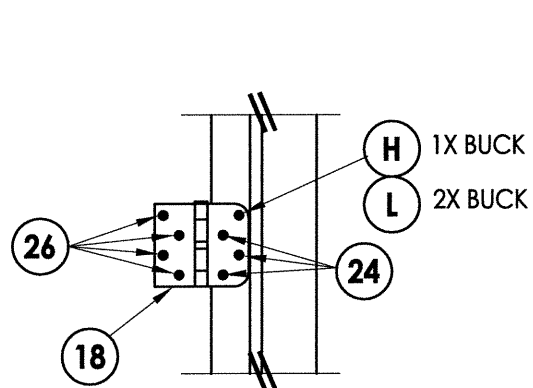
FRAME ANCHORING
Masonry construction



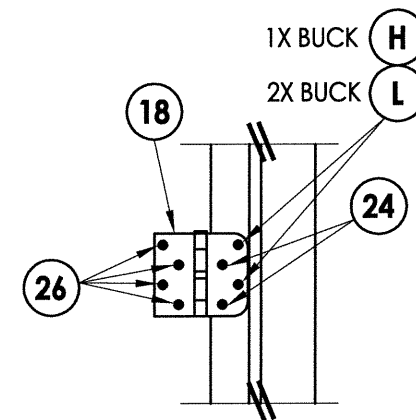
FRAME ANCHORING
Masonry construction



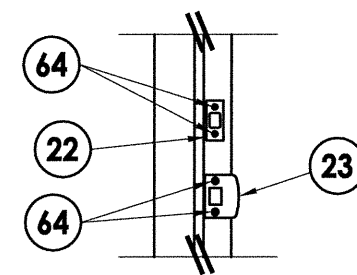
STRIKE JAMB



HINGE DETAIL 2



HINGE DETAIL 1



STRIKE PLATE DETAIL

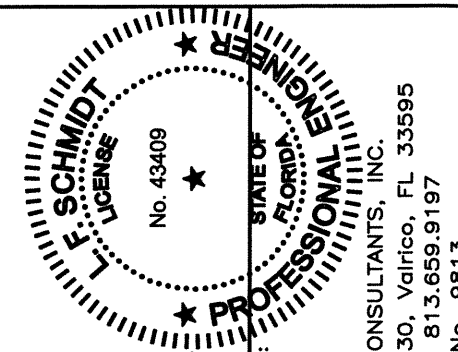
CONCRETE ANCHOR NOTES:

- Concrete anchor locations at the corners may be adjusted to maintain the min. edge distance to mortar joints.
- Concrete anchor locations noted as "MAX. ON CENTER" must be adjusted to maintain the min. edge distance to mortar joints, additional concrete anchors may be required to ensure the "MAX. ON CENTER" dimension are not exceeded.
- Concrete anchor table:

ANCHOR TYPE	ANCHOR SIZE	MIN. EMBEDMENT	MIN. CLEARANCE TO MASONRY EDGE	MIN. CLEARANCE TO ADJACENT ANCHOR
ITW BUILDEX TAPCON®	3/16"	1-1/4"	3"	1-1/2"
	1/4"	1-1/4"	2"	4"
ELCO ULTRACON®	1/4"	1-1/4"	1"	4"

WOOD SCREW INSTALLATION NOTES:

- Maintain a minimum 5/8" edge distance, 1" end distance, & 1" o.c. spacing of wood screws to prevent the splitting of wood.



Documents Prepared By:
Lyndon F. Schmidt
P.E. No. 43409

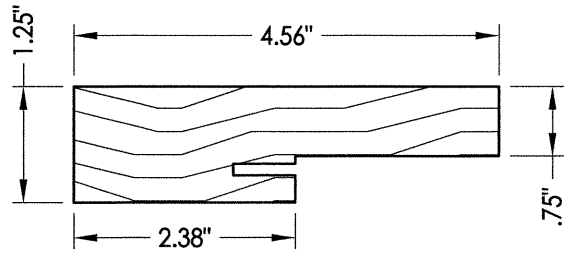
R.W.
BUILDING CONSULTANTS, INC.
P.O. Box 230, Valrico, FL 33595
Phone No.: 813.659.9197
FBPE C.A. No. 9813

PRODUCT:	TRINITY GLASS INT'L
PART OR ASSEMBLY:	FRAME ANCHORING

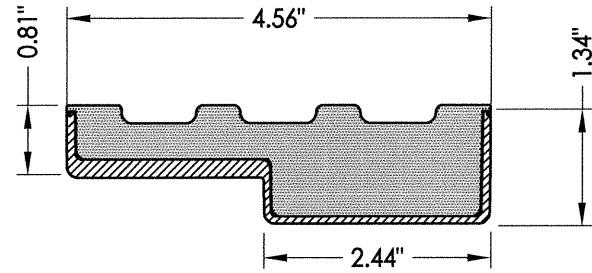
NO.	DATE	BY	REVISIONS
3	3/02/15	LFS	UPDATE TO 5TH ED. (2014) FBC
2	12/16/14	LFS	ADDED PVC JAMB/LOCK HRDWR
1	3/27/12	LFS	ADDED GLAZING DETAIL

DATE:	1/18/12
SCALE:	N.T.S.
DWG. BY:	JK
CHK. BY:	LFS
DRAWING NO.:	FL-15129.11
SHEET	10 OF 12

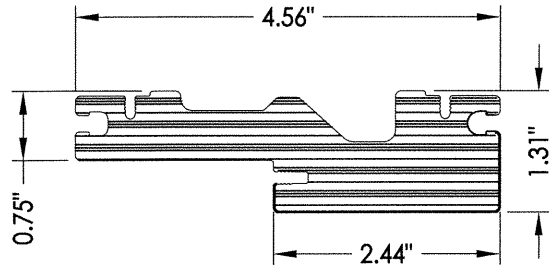
R:\Clients\Trinity PERMANENT\Florida Product Approvals\FL-15129\Drawings\Current\FL-15129-9-12.dwg, 11.11



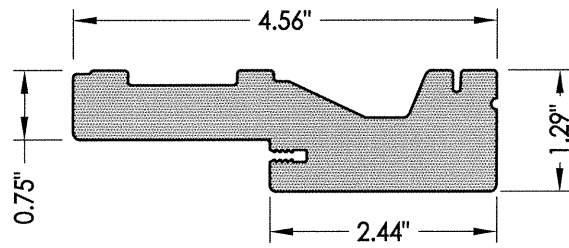
1 HEAD AND JAMBS
Wood



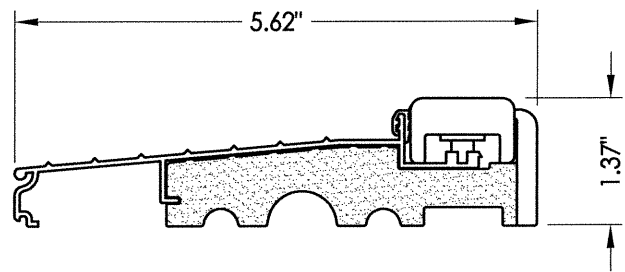
2 HEAD AND JAMBS
Composite PVC Base
w/ Fiberglass Wrap



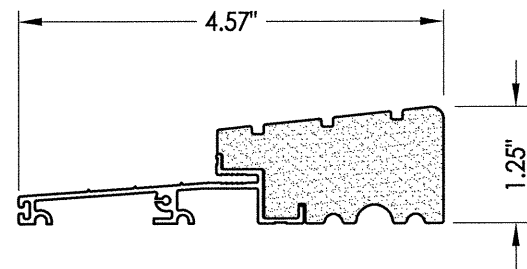
3 HEAD AND JAMBS
PVC



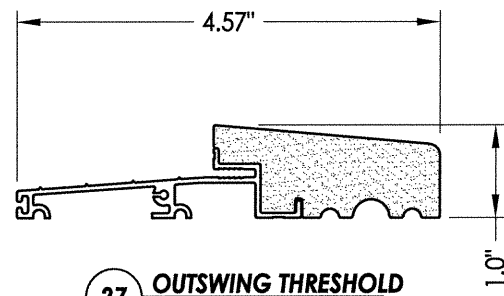
4 HEAD AND JAMBS
PVC



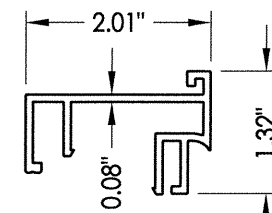
5 INSWING THRESHOLD



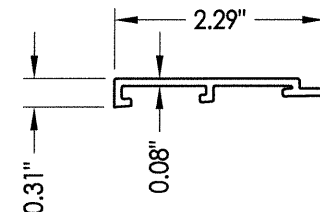
25 OUTSWING THRESHOLD
High-dam



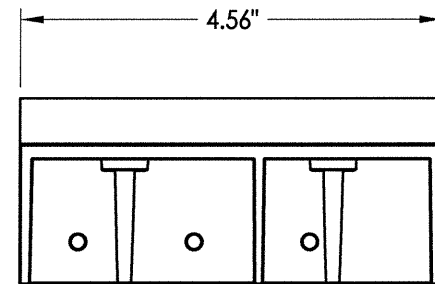
27 OUTSWING THRESHOLD



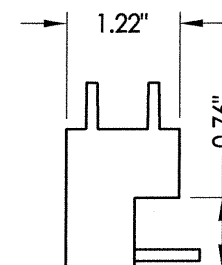
61 SIDELITE SPACER
Inswing



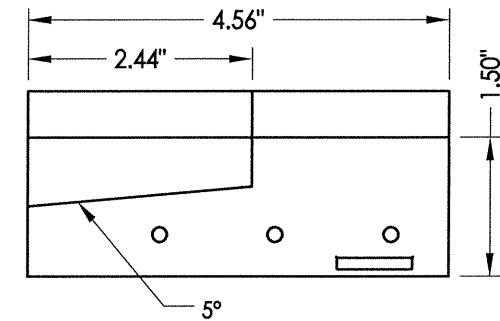
60 SIDELITE SPACER
Outswing



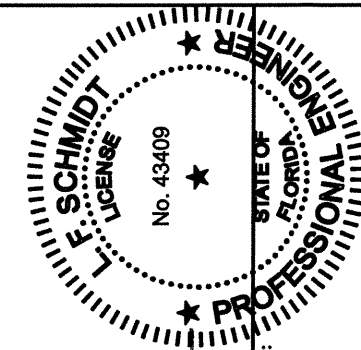
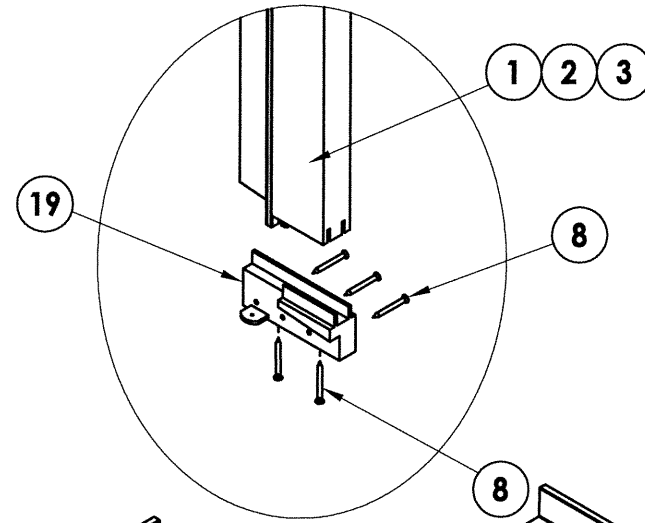
SILLKEY, LEFT
SCALE: NONE



SILLKEY, RIGHT
SCALE: NONE



19 SILLKEY DETAILS
Optional



Documents Prepared By:
Lyndon F. Schmidt
P.E. No. 43409

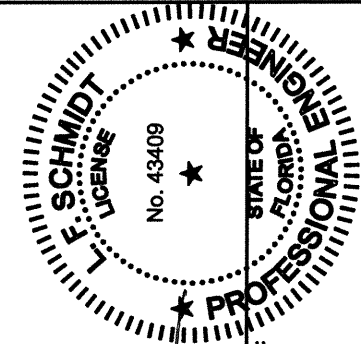
R.W. BUILDING CONSULTANTS, INC.
P.O. Box 230, Valrico, FL 33595
Phone No.: 813.659.9197
FBPE C.A. No. 9813

PRODUCT:	TRINITY GLASS INT'L
PART OR ASSEMBLY:	COMPONENTS

NO.	DATE	REVISIONS
3	3/02/15	UPDATE TO 5TH ED. (2014) FBC LFS
2	12/16/14	ADDED PVC JAMB/LOCK HRDWR LFS
1	3/27/12	ADDED GLAZING DETAIL LFS
		BY

DATE:	1/18/12
SCALE:	N.T.S.
DWG. BY:	JK
CHK. BY:	LFS
DRAWING NO.:	FL-15129.11
SHEET	11 OF 12

BILL OF MATERIALS		
ITEM #	DESCRIPTION	MATERIAL
A	1X BUCK SG >= 0.55	WOOD
B	2X BUCK SG >= 0.55	WOOD
C	1/4" MAX. SHIM SPACE	-
D	1/4" X 2-3/4" PFH ELCO OR ITW CONCRETE SCREW	STEEL
E	MASONRY - 3,000 PSI MIN. CONCRETE CONFORMING TO ACI 301 OR HOLLOW BLOCK CONFORMING TO ASTM C90	CONCRETE
F	1/4" X 3-3/4" PFH ITW CONCRETE SCREW	STEEL
H	3/16" X 3-1/4" PFH ITW CONCRETE SCREW	STEEL
J	#9 X 2-1/4" PFH WS	STEEL
L	#8 X 2-1/2" PFH WS	STEEL
P	1/4" X 2-3/4" PFH ELCO OR ITW CONCRETE SCREW	STEEL
1	HEAD & JAMB (FINGER-JOINT PINE - SG >= 0.42)	WOOD
2	HEAD & JAMB	FIBERGLASS/COMP
3	HEAD & JAMB	PVC
4	HEAD & JAMB	PVC
5	INSWING THRESHOLD ALUMINUM W/ COMPOSITE SUBSTRATE	ALUMINUM
6	DOOR BOTTOM SWEEP	PVC
8	#6 X 1-1/4 PFH DRYWALL SCREW	STEEL
12	WEATHERSTRIP QEBD650 Q-LON	-
18	3.983" X 4.0" HINGE MIN 0.098" THICK	STEEL
19	SILLKEY	PC/ASA
22	DEADBOLT STRIKE PLATE	STEEL
23	STRIKE PLATE	STEEL
24	#9 X 5/8" PFH WS	STEEL
25	OUTSWING HIGH-DAM THRESHOLD ALUMINUM W/ COMPOSITE SUBSTRATE	ALUM./ COMP.
26	#9 X 1.0" PFH WS	STEEL
27	OUTSWING THRESHOLD ALUMINUM W/ COMPOSITE SUBSTRATE	ALUM./ COMP.
40	DOOR PANEL - SEE DOOR PANEL DETAIL SHEET FOR CONSTRUCTION DETAILS	-
41	SIDELITE PANEL - SEE SIDELITE PANEL DETAIL SHEET FOR CONSTRUCTION DETAILS	-
42	SIDELITE PANEL - SEE SIDELITE PANEL DETAIL SHEET FOR CONSTRUCTION DETAILS	-
60	SIDELITE SPACER - OUTSWING	PVC
61	SIDELITE SPACER - INSWING	PVC
62	QUARTER ROUND	WOOD
63	#8 X 2-1/4" PFH WOOD SCREW	STEEL
64	#8 X 2" PFH WOOD SCREW	STEEL
65	#10 X 2" PFH WOOD SCREW	STEEL



LFS
5.1.15

Documents Prepared By:
Lyndon F. Schmidt
P.E. No. 43409

R.W.
BUILDING CONSULTANTS, INC.
P.O. Box 230, Valrico, FL 33595
Phone No.: 813.659.9197
FBPE C.A. No. 9813

PRODUCT: TRINITY GLASS INT'L
PART OR ASSEMBLY: BILL OF MATERIALS

NO.	DATE	BY	REVISIONS
3	3/02/15	LFS	UPDATE TO 5TH ED. (2014) FBC
2	12/16/14	LFS	ADDED PVC JAMB/LOCK HRDWR
1	3/27/12	LFS	ADDED GLAZING DETAIL

DATE: 1/18/12
SCALE: N.T.S.
DWG. BY: JK
CHK. BY: LFS
DRAWING NO.: FL-15129.11
SHEET 12 OF 12